

KIT BOXPDS



Pressurisation equipment for evacuation routes, designed according to the European standard EN 12101-6



Fire evacuation route pressurisation systems designed in accordance with the European standard EN 12101-6. The KIT BOXPDS automatically regulates the airflow and is able to maintain the 50 Pa of overpressure even in the presence of leaks in the installation. The system is able to maintain the overpressure (Pressure criteria) and reach the 90% of the required flow rate within 3 seconds after opening or closing a door (Airflow criteria).

Including test certification for dynamic performance, electromagnetic compatibility, environmental resistance and IP protection degree.

Utility model: ES 1 226 660 U.

KIT BOXPDS

- Consists of the BOXPDS control panel, external control panel, a CJHCH ventilation unit and a DAMPER BOX with built-in optical smoke detector.

BOXPDS

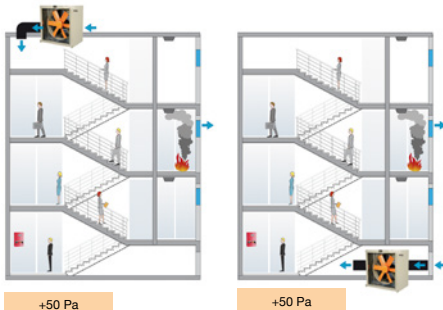
- Variable frequency drive.
- High precision differential pressure probe.
- Electrical panel with magneto thermal protections and general power supply failure indication.
- Electronic control for alarm management, maintenance, ModBUS RTU port for connection to BMS (Building Management Systems) and control by DAMPER BOX.
- Certified power supply with batteries to ensure power supply to control equipment in the event of a power failure.
- Includes time programming to activate daily ventilation.

Control panel:

- External control panel with touch screen for real time pressure display, system configuration and calibration, status lights and manual system activation.
- Auto-Manual-Off selector.
- Fire alarm reset selector.
- Test selector.

On request:

- Automatic switching system for backup fan (see KIT BOXPDS II series).



- Easy to install.
- A compact, autonomous solution.
- Easy start-up.
- Safe, functional installation.

Order code

KIT BOXPDS – 800 – 4T – 5.5

KIT BOXPDS: Pressurisation equipment for evacuation routes, designed according to the European standard EN 12101-6
 KIT BOXPDS II: Pressurisation equipment for evacuation routes with standby fan, designed according to the European standard EN 12101-6

Impeller diameter in cm

Number of motor poles
 4=1400 r/min 50 Hz

T = Three-phase

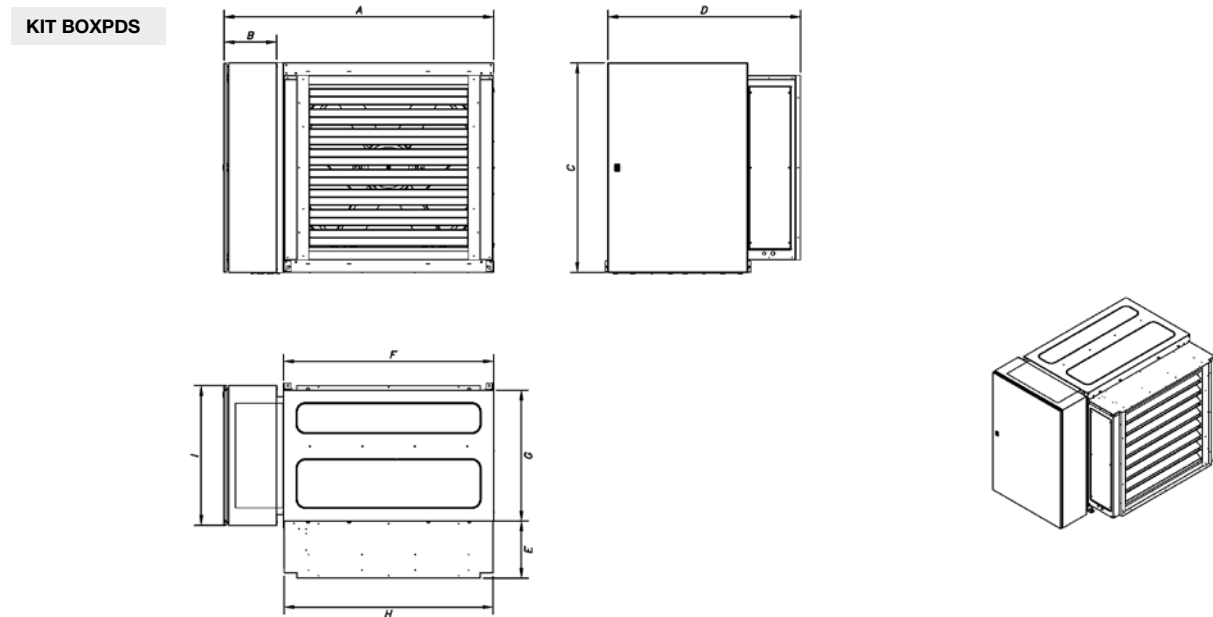
Motor power (HP)

Technical characteristics

Model	Speed (r/min)	Power supply (V) (Hz)	Maximum admissible current (A)	Installed power (kW)	Maximum flow rate (m ³ /h)	Sound pressure level dB (A)	Approx. weight (Kg)
			400V				
KIT BOXPDS-710-4T-1.5 IE3	1400	380-480 V 50/60 Hz	4.75	1.1	19770	75	188
KIT BOXPDS-710-4T-2 IE3	1430	380-480 V 50/60 Hz	6.25	1.5	21090	75	191
KIT BOXPDS-710-4T-3 IE3	1445	380-480 V 50/60 Hz	8.20	2.2	23970	78	200
KIT BOXPDS-800-4T-3 IE3	1445	380-480 V 50/60 Hz	8.20	2.2	27940	79	208
KIT BOXPDS-800-4T-4 IE3	1445	380-480 V 50/60 Hz	10.05	3.0	32720	80	210
KIT BOXPDS-800-4T-5.5 IE3	1440	380-480 V 50/60 Hz	12.65	4.0	37440	81	215
KIT BOXPDS-900-4T-7.5 IE3	1440	380-480 V 50/60 Hz	15.20	5.5	47550	88	309
KIT BOXPDS-900-4T-10 IE3	1455	380-480 V 50/60 Hz	20.30	7.5	53120	89	326
KIT BOXPDS-1000-4T-10 IE3	1455	380-480 V 50/60 Hz	20.30	7.5	58560	90	334
KIT BOXPDS-1000-4T-15 IE3	1460	380-480 V 50/60 Hz	28.30	11.0	68000	91	366
KIT BOXPDS-1000-4T-20 IE3	1460	380-480 V 50/60 Hz	36.60	15.0	71850	92	377

May be supplied with the KIT BOXPDS II for standby fan (a second impulsion unit is added to the KIT BOXPDS).

Dimensions mm

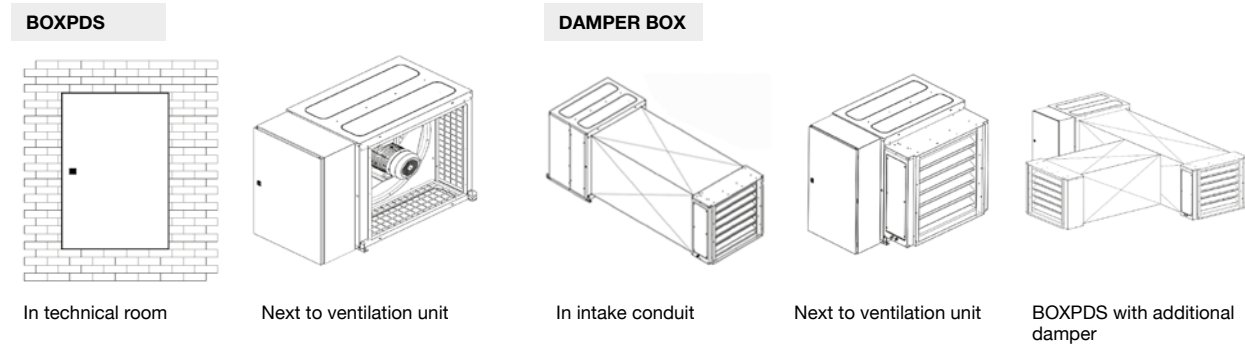


	A	B	C	D	E	F	G	H	I	J	K	L	O
KIT BOXPDS-710/800	1314	300	1000	976.5	326.5	1000	650	995	600	850	650	850	1000
KIT BOXPDS-900/1000	1540	300	1200	1102	326.5	1200	750	1195	800	1050	750	1050	1200

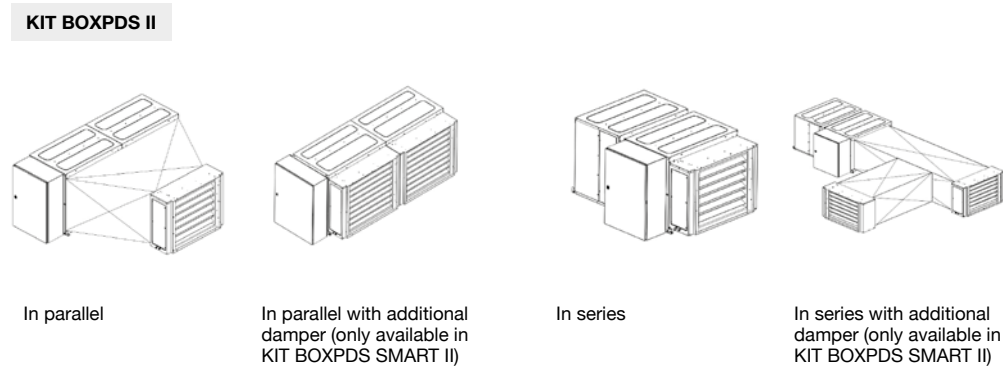
Dimensions mm

BOXPDS			DAMPER BOX			CJHCH					
C	B	I	E	J	H	O	K	L			
BOXPDS-710/800	1000	300	600	DAMPER BOX 71/80	326.5	850	995	CJHCH-71/80	1000	650	850
BOXPDS-900/1000	1200	300	800	DAMPER BOX 90/100	326.5	1050	1195	CJHCH-90/100	1200	750	1050

Application example



2 DAMPERS can be used by installing two inlets away from the fan, so that if smoke is detected at one inlet it will close and the second damper will be kept open to ensure the entry of clean air into the space to be protected (smoke-free evacuation route).



Accessories



PDS LOBBY CONTROL



DAMPER BOX