

CJBD CJBD/AL



CJBD: Acoustically insulated ventilation units.

CJBD/AL: Ventilation units made of aluminium profiles and prefinished sheet with acoustic insulation.



CJBD



CJBD/AL

Fan:

- Double inlet CBD series fans.
- Galvanised sheet steel structure with thermal and acoustic insulation.
- CJBD/AL, CJBD/ALS and CJBD/ALF: Aluminium profiles structure with thermal and acoustic insulation.
- Forward-curved impeller made of galvanised sheet steel.
- Cable gland for cable inlet.

Motor:

- Closed motors with built-in thermal protector, class F, with ball bearings, IP54 protection.
- Single-phase 220-240 V-50 Hz, and three-phase 220-240 V/380-415 V-50 Hz.
- Maximum temperature of air to be carried: -20 °C + 60 °C.

Finish:

- Anti-corrosive finish on galvanised sheet steel.

• CJBD/AL, CJBD/ALS and CJBD/ALF:

- Anti-corrosive finish on pre-lacquered sheet steel and aluminium profiles.

On request:

- With circular impulsion.

CJBD/AL and CJBD/ALS series accessories:

Air treatment modules:

- MF: Filtration module. Standard F6+F8 version and optional F7+F9.
- ME: Electric coil module. Standard G4 version and optional with F6+F8 or F7+F9 filters.
- MA: Water coil module. Standard G4 version and optional with F6+F8 or F7+F9 filters.



CJBD: With support foot to facilitate mounting.

Order code



- CJBD: Acoustically insulated ventilation units.
- CJBD/AL: Ventilation units made of aluminium profiles and prefinished sheet with acoustic insulation.
- CJBD/INT: Ventilation units with built-in switches.
- CJBD/C: Ventilation units with circular inlet and outlet.
- CJBD/F: Ventilation units with built-in filter.
- CJBD/ALS: Ventilation units with double insulated wall, prefinished sheet and aluminium profiles.
- CJBD/ALF: Ventilation units with prefinished sheet, built-in filter and aluminium profiles.

Impeller size mm	
mm	inch
1919	7/7
2525	9/9
2828	10/10
3333	12/12
3939	15/15

Number of motor poles
 4=1400 r/min 50 Hz
 6=900 r/min 50 Hz

T=Three-phase
 M=Single-phase

Motor power (HP)

Options



CJBD/INT



CJBD/C



CJBD/F



CJBD/ALS



CJBD/ALF



Erp. (Energy Related Products)

Information on Directive 2009/125/EC can be downloaded from the SODECA website or the QuickFan selector programme.

CENTRIFUGAL FANS AND IN-LINE DUCT EXTRACTOR FANS

Technical characteristics

		Speed (rpm)	Max. admissible current (A)		Installed power (kW)	Maximum flow rate (m³/h)	Sound level (dBA)	Approx. weight (kg)		According to ErP		
			230 V	400 V				CJBD	CJBD/AL	CJBD/CJBD/ALS	CJBD/F CJBD/ALF	
CJBD	CJBD/AL	1919-4M 1/5	1320	1.15	0.15	1500	58	19.4	22.5	2018	2018	
CJBD	CJBD/AL	1919-6M 1/10	820	0.85	0.08	1230	53	19.4	22.5	2016	2018	
CJBD	CJBD/AL	2525-4M 1/2	1320	2.30	0.37	2800	66	28.1	31.8	2016	2018	
CJBD	CJBD/AL	2525-4M 3/4	1310	3.65	0.55	3600	70	28.9	32.6	2016	2018	
CJBD	CJBD/AL	2525-6M 1/6	900	0.95	0.13	2200	60	26.8	30.5	2016	2018	
CJBD	CJBD/AL	2525-6M 1/3	940	1.60	0.25	2700	61	27.6	31.3	2016	2018	
CJBD	CJBD/AL	2828-4M 1/2	1320	2.30	0.37	2800	65	33.0	37.3	2016	2018	
CJBD	CJBD/AL	2828-4M 3/4	1310	3.65	0.55	3950	70	33.8	38.1	2016	2018	
CJBD	CJBD/AL	2828-6M 1/3	940	1.60	0.25	3200	61	32.5	36.8	2018	2018	
CJBD	CJBD/AL	3333-6T 1 1/2	850	6.60	3.80	1.10	7800	74	47.9	53.8	2016	2018
CJBD	CJBD/AL	3333-6M 3/4	930	3.30	0.55	4750	63	46.4	52.3	2018	2018	
CJBD	CJBD/AL	3333-6M 1	850	5.37	0.75	6000	70	47.4	53.3	2016	2018	
CJBD	CJBD/AL	3939-6T 3	890	10.90	6.30	2.20	11400	74	71.8	80.0	2016	2018

Acoustic characteristics

Sound power spectrum Lw(A) in dB(A) per Hz frequency band.

	63	125	250	500	1000	2000	4000	8000		63	125	250	500	1000	2000	4000	8000
CJBD-1919-4M 1/5	43	54	58	62	64	63	62	53	CJBD-2828-4M 3/4	55	66	70	74	76	75	74	65
CJBD-1919-6M 1/10	38	49	53	57	59	58	57	48	CJBD-2828-6M 1/3	46	57	61	65	67	66	65	56
CJBD-2525-4M 1/2	51	62	66	70	72	71	70	61	CJBD-3333-6T 1 1/2	59	70	74	78	80	79	78	69
CJBD-2525-4M 3/4	55	66	70	74	76	75	74	65	CJBD-3333-6M 3/4	48	59	63	67	69	68	67	58
CJBD-2525-6M 1/6	44	55	59	63	65	64	63	54	CJBD-3333-6M 1	55	66	70	74	76	75	74	65
CJBD-2525-6M 1/3	46	57	61	65	67	66	65	56	CJBD-3939-6T 3	61	72	77	81	83	81	80	71
CJBD-2828-4M 1/2	50	61	65	69	71	70	69	60									

Dimensions mm

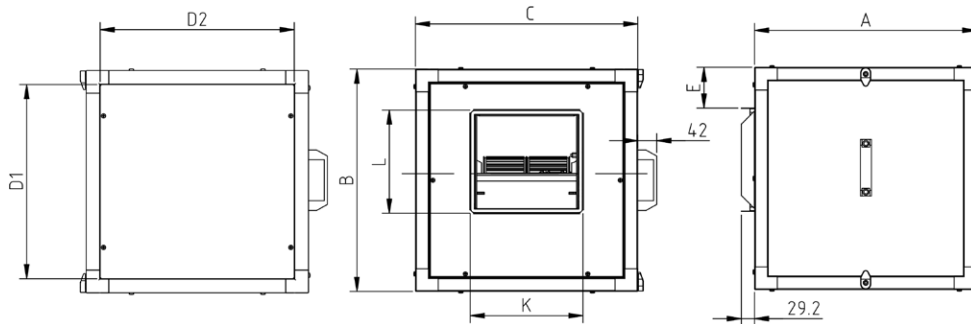
**CJBD
CJBD/INT**

CJBD/F

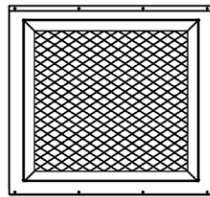
	inches	A	B	C	E	D1	D2	G1	L	K	X (without filter)	X (with filter)
CJBD / CJBD/INT / CJBD/F-1919	7/7	450	460	500	110	370	410	245	210	232	25	30
CJBD / CJBD/INT / CJBD/F-2525	9/9	500	522	550	129.5	426	454	261	263	300	25	30
CJBD / CJBD/INT / CJBD/F-2828	10/10	550	575	600	107	479	504	322	292	326	25	30
CJBD / CJBD/INT / CJBD/F-3333	12/12	650	650	700	106	554	604	372.5	345	387	25	30
CJBD / CJBD/INT / CJBD/F-3939	15/15	800	755	800	115	659	704	438	404	473	25	30

Dimensions mm

CJBD-AL
CJBD-ALS

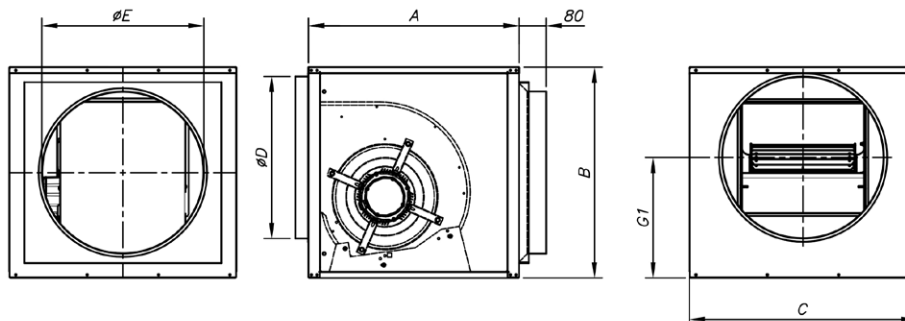


CJBD-ALF



	A	B	C	D1	D2	E	L	K
CJBD-AL / CJBD-ALS / CJBD-ALF 1919	490	490	490	428	428	91	226	247
CJBD-AL / CJBD-ALS / CJBD-ALF 2525	550	550	550	488	488	86	279	317
CJBD-AL / CJBD-ALS / CJBD-ALF 2828	605	605	605	543	543	88	306	343
CJBD-AL / CJBD-ALS / CJBD-ALF 3333	680	680	680	618	618	84	360	404
CJBD-AL / CJBD-ALS / CJBD-ALF 3939	855	855	855	793	793	119	423	490

CJBD-C



	A	B	C	øD	øE	G1
CJBD-C-1919	450	460	500	250	250	245
CJBD-C-2525	500	522	550	355	355	283.5
CJBD-C-2828	550	575	600	400	400	324.5
CJBD-C-3333	650	650	700	500	500	372.5
CJBD-C-3939	800	755	800	560	560	443

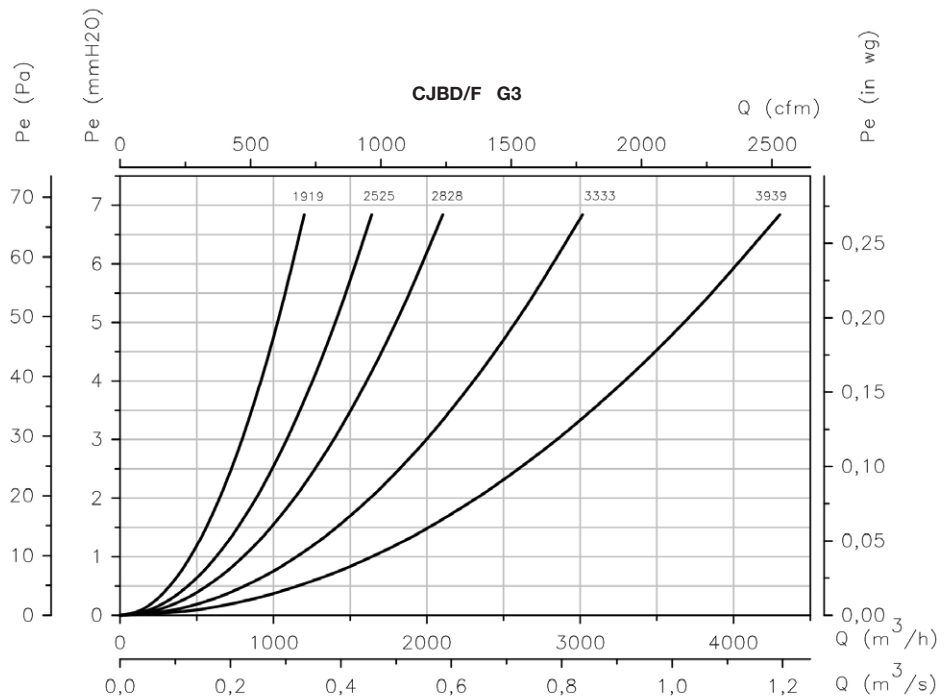
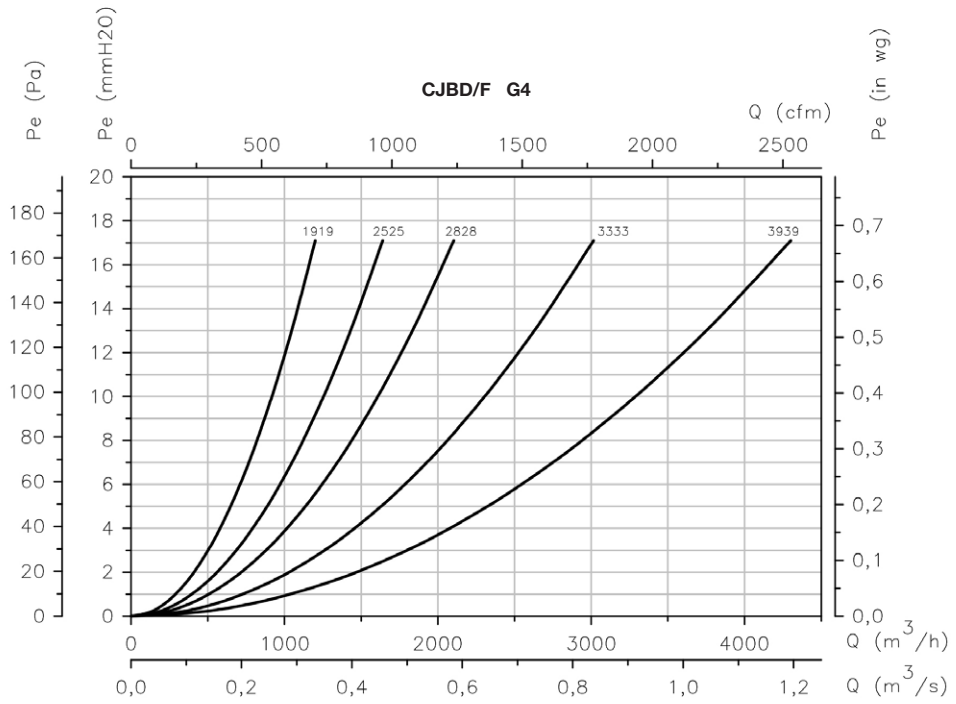
Characteristic curves

Q= Flow rate in m³/h, m³/s and cfm

Pe= Static pressure in mm H₂O, Pa and inwg

Load loss curves of units with filters

CJBD/ALF



Accessories

See accessories section.

