

# CJLINE/EC

**Air extract units with linear inlet and outlet, equipped with EC Technology IE5 motor**



Air extraction units with linear inlet and outlet, equipped with EC Technology IE5 motor with integrated electronics.

**Fan:**

- Galvanised sheet steel structure.
- Backward curved impeller made of sheet steel.
- Linear airflow direction.

**Motor:**

- High efficiency EC Technology motors with integrated electronics, regulated by 0-10 V or 4-20 mA.
- IE5 efficiency motors, class F and IP55 protection.
- Single-phase 220-277 V 50/60 Hz.
- Working temperature: -25 °C +60 °C.

**EC CONTROL:** Supplied as an optional accessory. Control panel for ventilation systems with EC Technology motors with the electronics integrated in the motor itself. With the following characteristics:

- CPC: Constant pressure control.
- CFC: Constant flow control.
- DAY/NIGHT: Double pressure setpoint adjustment according to time of day.
- External sensor: Compatible with temperature, humidity, air quality or CO sensor.
- Equipment preconfigured in constant pressure mode with 100 Pa set point.

**Finish:**

- Galvanised steel sheet.

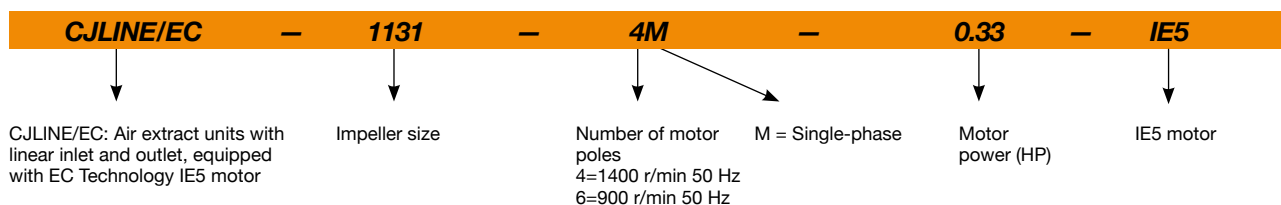


← EC TECHNOLOGY MOTOR with integrated electronics



← EC CONTROL Supplied as an optional accessory

## Order code



## Technical characteristics

Model	Speed (r/min)	Maximum admissible current (A)	Max. electric power	Maximum flow rate (m³/h)	Sound pressure level dB (A)	Approx. weight (Kg)
		230V	(kW)			
CJLINE/EC-1131-4M-0.33 IE5	1370	2.3	0.25	1980	51	42
CJLINE/EC-1235-4M-0.33 IE5	1370	2.3	0.25	2820	56	54
CJLINE/EC-1640-4M-0.75 IE5	1385	4.8	0.55	4430	61	76
CJLINE/EC-1845-4M-1.5 IE5	1455	8.9	1.10	6300	65	87
CJLINE/EC-1856-6M-1 IE5	945	4.3	0.75	8100	59	135



## Erp. (Energy Related Products)

Information on Directive 2009/125/EC can be downloaded from the SODECA website or the QuickFan selector programme.

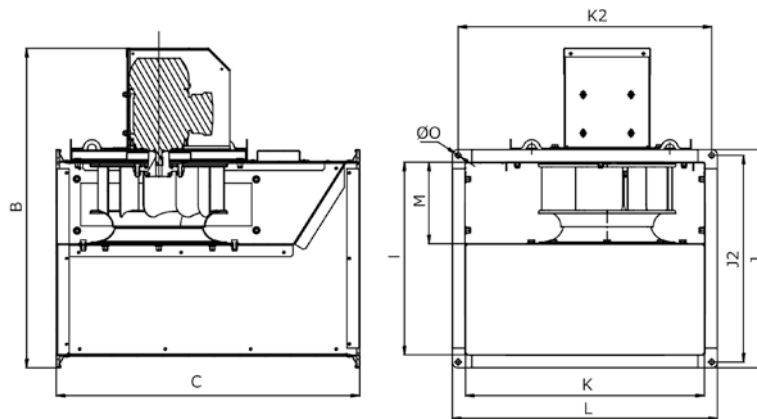
### Acoustic characteristics

The indicated values are determined by measuring the sound pressure level and sound power in dB(A) obtained in a free field at a distance equivalent to twice the size of the fan plus the impeller diameter, with a minimum of 1.5 m.

Sound power spectrum Lw(A) in dB(A) per Hz frequency band

	63	125	250	500	1000	2000	4000	8000
CJLINE/EC-1131-4M	42	51	57	56	60	60	52	46
CJLINE/EC-1235-4M	49	58	64	63	67	66	59	53
CJLINE/EC-1640-4M	56	62	67	68	71	73	65	59
CJLINE/EC-1845-4M	60	66	71	72	75	77	69	63
CJLINE/EC-1856-6M	58	64	69	70	73	72	65	60

### Dimensions mm



	B	C	I	J	J2	K	K2	L	M2	ØO
CJLINE/EC-1131-4M	783	710	451	510	483	561	593	620	194	12
CJLINE/EC-1235-4M	833	800	501	560	533	621	653	680	222	12
CJLINE/EC-1640-4M	896	900	561	620	593	711	743	770	244	12
CJLINE/EC-1845-4M	965	1000	631	690	663	801	833	860	277	12
CJLINE/EC-1856-6M	1133	1250	801	860	833	1001	1033	1060	348	12

### Accessories



INT



EC CONTROL



MTP



CENTRAL CO



VIS



TAC



SI-CO2 IND



SI-TEMP IND



SI-TEMP+HUMEDAD



SI-HUMEDAD



SI-MF



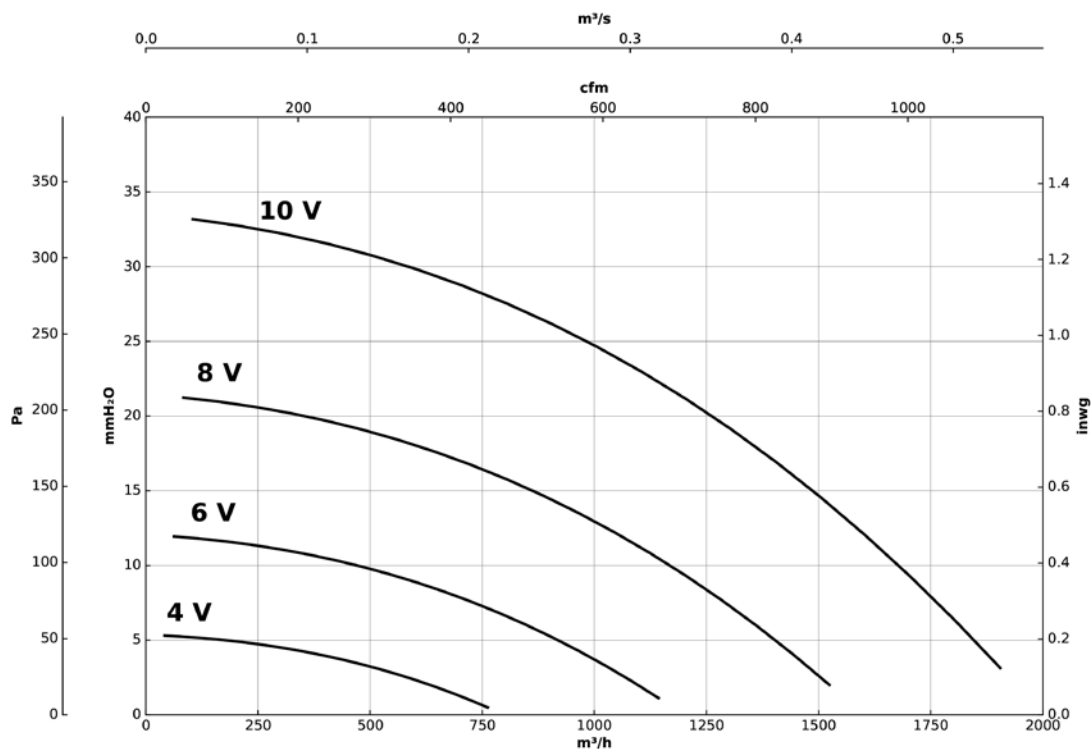
SI-PRESIÓN

### Characteristic curves

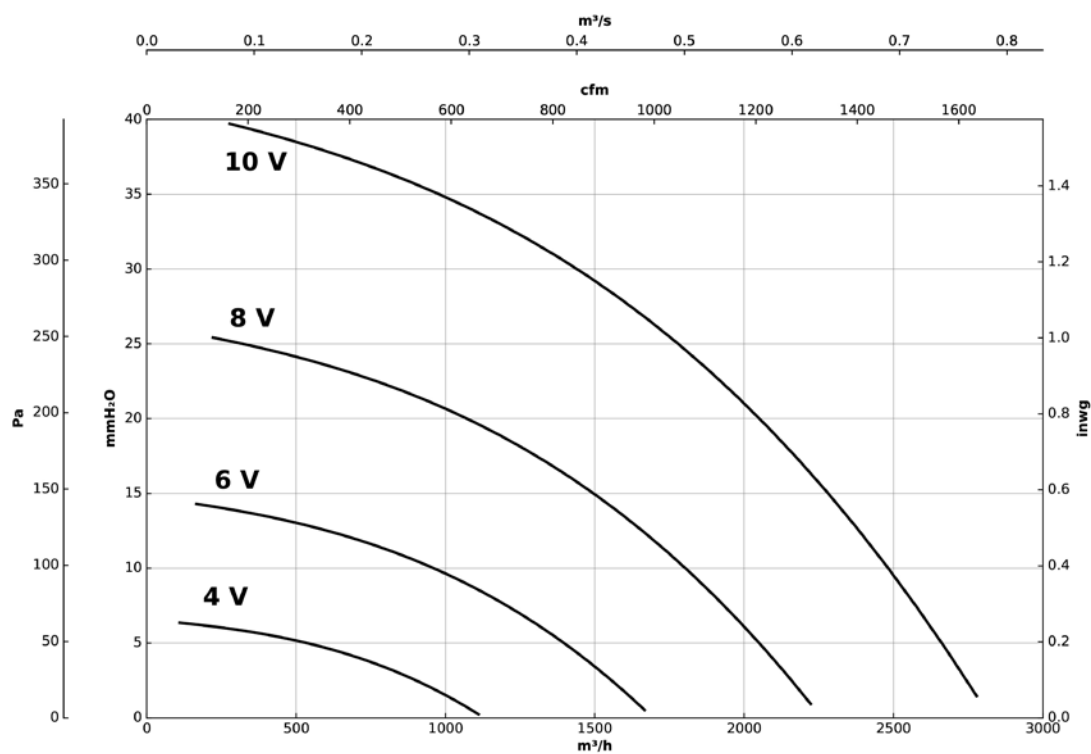
Q= Flow rate in m<sup>3</sup>/h, m<sup>3</sup>/s and cfm

Pe= Static pressure in mm H<sub>2</sub>O, Pa and inwg

#### CJLINE/EC-1131-4M



#### CJLINE/EC-1235-4M

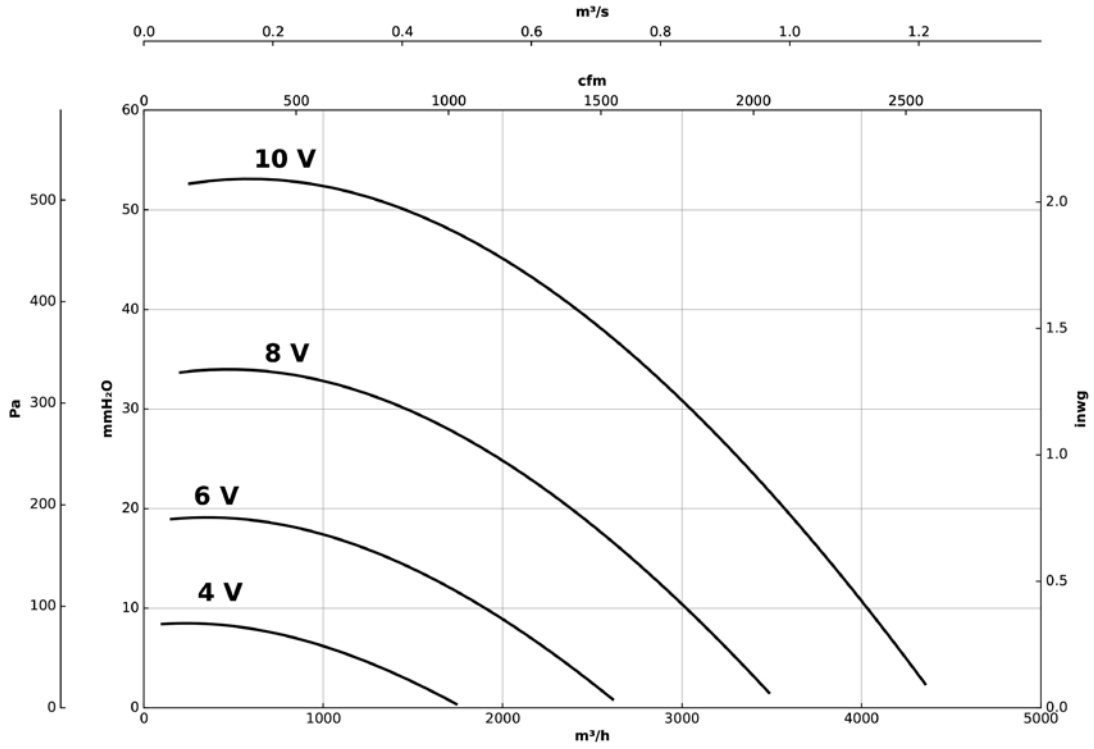


**Characteristic curves**

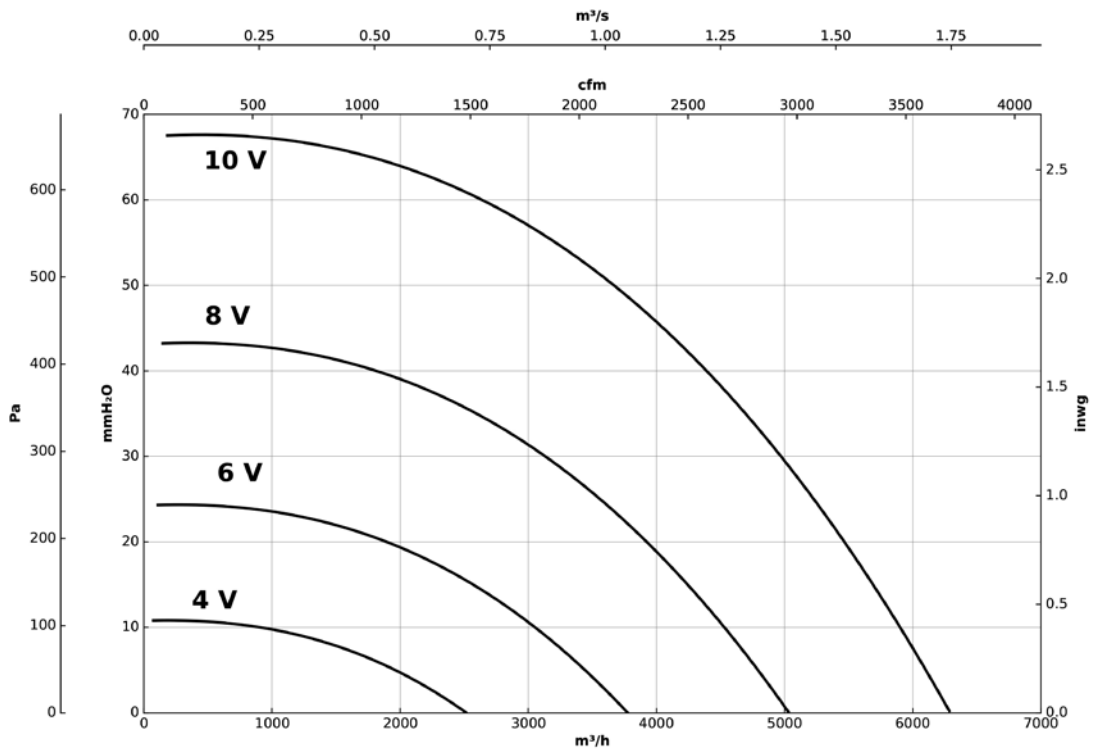
Q= Flow rate in m<sup>3</sup>/h, m<sup>3</sup>/s and cfm

Pe= Static pressure in mm H<sub>2</sub>O, Pa and inwg

**CJLINE/EC-1640-4M**



**CJLINE/EC-1845-4M**



### Characteristic curves

Q= Flow rate in m<sup>3</sup>/h, m<sup>3</sup>/s and cfm

Pe= Static pressure in mm H<sub>2</sub>O, Pa and inwg

