

WALL/AXIAL



Dynamic wall mount axial extract fans fitted with motorised hatch

Wall mounted axial fans with fibreglass reinforced plastic propeller with motorised opening damper. Suitable for installation in industrial buildings or commercial facilities.

Fan:

- Wall fixing flange for correct and easy installation.
- Support frame in galvanised sheet steel.
- Fibreglass reinforced polyamide-6 impeller.
- Protection grid against contacts according to UNE-EN ISO 12499.
- On models 71, the protective grille is supplied as an accessory.
- Airflow direction from motor to impeller.

Extruded aluminum hatch:

- An extremely robust structure that is able to withstand severe weather changes.
- Designed to ensure watertightness.
- Aluminum profile with thermal bridge break.
- Central ceiling and structure equipped with high performance thermal insulation.
- Thermal resistance of the assembly less than 0.89 W/m²·K.
- Limit switches in both positions (open and closed).
- Possibility of mounting in upper and lower opening.
- Manual opening system.

Motor:

- Motors with IE3 efficiency for powers equal to or greater than 0.75 kW, except single-phase, 2-speed and 8-pole.
- Class F motors with ball bearings, IP55 protection.
- Three-phase 230/400 V 50 Hz.
- Working temperature: -25 °C +60 °C.

Actuator:

- Reliability greater than 11,000 dual cycles.
- Supply voltage at 230 V AC 50/60 Hz.
- Working temperature: -25 °C +60 °C.

Flap finish:

- Anti-corrosive in extruded aluminum.
- RAL 7016 supplied as standard. Any other RAL can be supplied on demand.

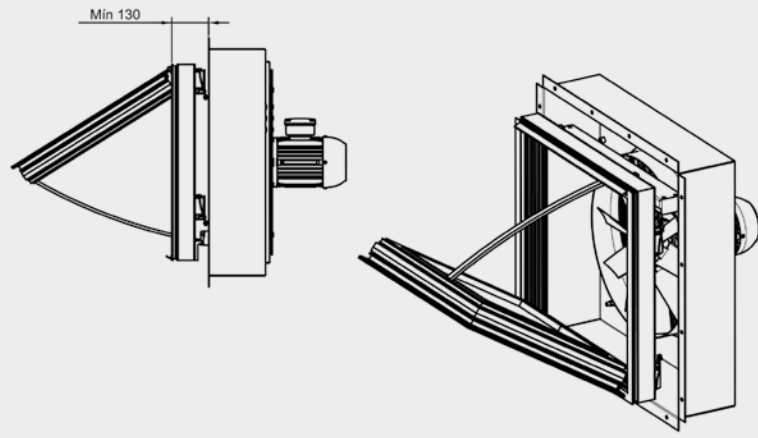
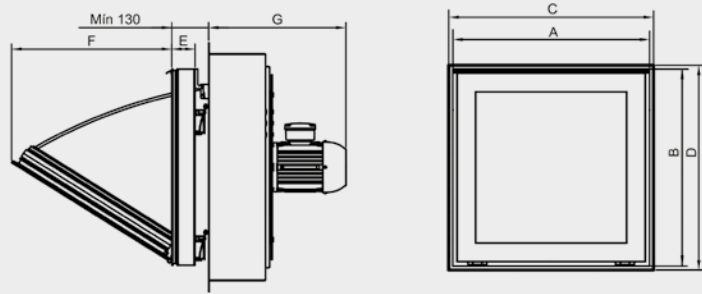
On request:

- AA: impeller-motor air direction for air entry to premises.

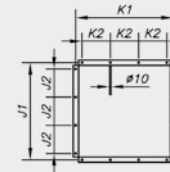
| Model | Speed (r/min) | Maximum admissible current (A) | | Installed power (kW) | Maximum flow rate (m ³ /h) | Sound pressure level ¹ dB (A) | | Approx. weight (Kg) |
|----------------------|------------------|-----------------------------------|------|-------------------------|--|---|---------|------------------------|
| | | 230V | 400V | | | Inlet | Exhaust | |
| WALL/AXIAL-40-4T | 1350 | 1.66 | 0.96 | 0.25 | 5180 | 44 | 44 | 32 |
| WALL/AXIAL-45-4T | 1370 | 2.02 | 1.17 | 0.37 | 7275 | 49 | 49 | 36 |
| WALL/AXIAL-50-4T | 1420 | 2.17 | 1.25 | 0.55 | 10185 | 52 | 52 | 44 |
| WALL/AXIAL-56-4T IE3 | 1455 | 4.07 | 2.34 | 1.10 | 12985 | 55 | 55 | 55 |
| WALL/AXIAL-56-6T | 900 | 2.24 | 1.30 | 0.37 | 8290 | 44 | 44 | 46 |
| WALL/AXIAL-63-4T IE3 | 1455 | 4.07 | 2.34 | 1.10 | 16455 | 59 | 59 | 80 |
| WALL/AXIAL-63-6T | 900 | 2.24 | 1.30 | 0.37 | 12340 | 49 | 49 | 71 |
| WALL/AXIAL-71-4T IE3 | 1440 | 5.41 | 3.11 | 1.50 | 22170 | 63 | 63 | 92 |
| WALL/AXIAL-71-6T IE3 | 940 | 3.36 | 1.93 | 0.75 | 17325 | 51 | 51 | 88 |

¹ Sound pressure level in dB(A) at a distance of 10 m and at maximum flow rate.

WALL/AXIAL



*Wall-mounting flange



- WALL/AXIAL 40
- WALL/AXIAL 45
- WALL/AXIAL 50
- WALL/AXIAL 56
- WALL/AXIAL 63
- WALL/AXIAL 71

| Model | A | B | C | D | E | F | G | J1 | J2 | K1 | K2 |
|---------------|-----|-----|------|------|----|-----|-----|------|-----|------|-----|
| WALL-AXIAL-40 | 640 | 590 | 650 | 600 | 82 | 430 | 400 | 700 | 200 | 700 | 200 |
| WALL-AXIAL-45 | 640 | 590 | 650 | 600 | 82 | 430 | 405 | 700 | 200 | 730 | 200 |
| WALL-AXIAL-50 | 690 | 690 | 700 | 700 | 82 | 560 | 455 | 790 | 220 | 790 | 220 |
| WALL-AXIAL-56 | 690 | 690 | 700 | 700 | 82 | 560 | 485 | 840 | 220 | 840 | 220 |
| WALL-AXIAL-63 | 990 | 990 | 1000 | 1000 | 82 | 760 | 480 | 1050 | 300 | 1050 | 300 |
| WALL-AXIAL-71 | 990 | 990 | 1000 | 1000 | 82 | 760 | 480 | 1050 | 300 | 1050 | 300 |

(C x D) Nominal size of the wall opening.