

# WALL/DUCT



## Dynamic wall mount extractor fans fitted with motorised hatch

Dynamic wall mount extractor fans with motorised opening system for connection to extract duct. Suitable for installation in industrial buildings, stores or in any other type of building.

### Fan:

- Helicoidal casing support and fixing flange to allow easy wall anchorage and installation.
- Tubular casing in sheet steel with external terminal box.
- PL impellers manufactured in polyamide 6 re-inforced with fibreglass. AL impellers manufactured in cast aluminum. Models 40-2T, 45-2T, 100-4T-15, 100-4T-20 and 125 are only supplied in AL version.
- Airflow direction from motor to impeller.

### Extruded aluminum hatch:

- An extremely robust structure that is able to withstand severe weather changes.
- Designed to ensure watertightness.
- Aluminum profile with thermal bridge break.
- Central ceiling and structure equipped with high performance thermal insulation.
- Thermal resistance of the assembly less than 0.89 W/m<sup>2</sup>·K.

- Limit switches in both positions (open and closed).
- Possibility of mounting in upper and lower opening. Size 125 only top opening.
- Manual opening system.

### Motor:

- IE3 efficiency motors.
- Class F motors with ball bearings, IP55 protection.
- Three-phase 230/400 V 50 Hz (up to 4 kW) and 400/690 V 50 Hz (powers greater than 4 kW).
- Working temperature: -25 °C +60 °C.

### Actuator:

- Reliability greater than 11,000 dual cycles.
- Supply voltage at 230 V AC 50/60 Hz.
- Working temperature: -25 °C +60 °C.

### Flap finish:

- Anti-corrosive in extruded aluminum.
- RAL 7016 supplied as standard. Any other RAL can be supplied on demand.

### On request:

- AA: impeller-motor air direction for air entry to premises.

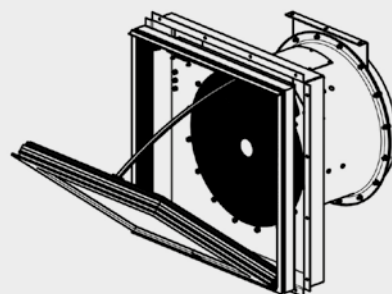
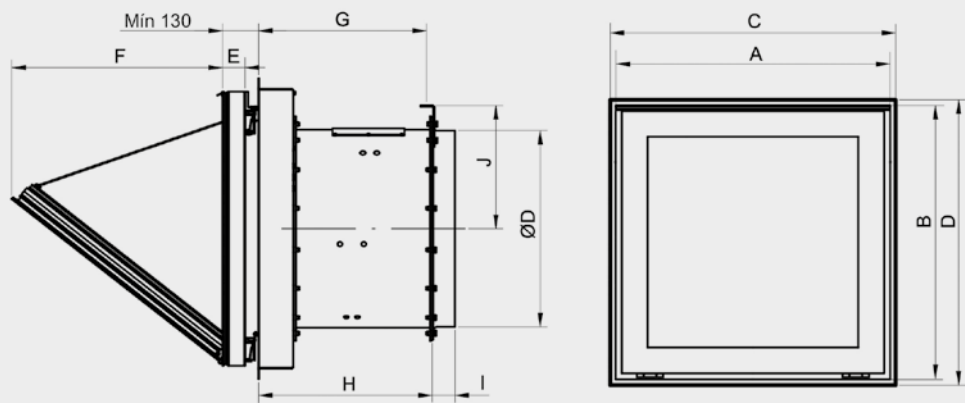
| Model                   | Speed<br>(r/min) | Maximum admissible current (A) |      |      | Installed power<br>(kW) | Maximum flow rate<br>(m <sup>3</sup> /h) | Sound pressure level <sup>1</sup><br>dB (A) |         | Approx. weight<br>(Kg) |
|-------------------------|------------------|--------------------------------|------|------|-------------------------|--|---|---------|------------------------|
|                         |                  | 230V                           | 400V | 690V |                         |  | Inlet                                       | Exhaust |                        |
| WALL/DUCT-40-2T-1.5 IE3 | 2830             | 4.03                           | 2.34 |      | 1.10                    | 8800                                     | 64  | 65      | 55                     |
| WALL/DUCT-45-2T-2 IE3   | 2875             | 5.34                           | 3.07 |      | 1.50                    | 10630                                    | 67  | 68      | 64                     |
| WALL/DUCT-45-2T-3 IE3   | 2910             | 7.32                           | 4.21 |      | 2.20                    | 12740                                    | 69  | 70      | 68                     |
| WALL/DUCT-45-4T-0.5     | 1370             | 2.02                           | 1.17 |      | 0.37                    | 7100                                     | 49  | 50      | 53                     |
| WALL/DUCT-50-4T-0.75    | 1420             | 2.17                           | 1.25 |      | 0.55                    | 10380                                    | 53  | 54      | 63                     |
| WALL/DUCT-56-4T-1 IE3   | 1420             | 2.82                           | 1.62 |      | 0.75                    | 12940                                    | 56  | 57      | 71                     |
| WALL/DUCT-56-4T-1.5 IE3 | 1455             | 4.07                           | 2.34 |      | 1.10                    | 14000                                    | 57  | 58      | 77                     |
| WALL/DUCT-56-4T-2 IE3   | 1440             | 5.41                           | 3.11 |      | 1.50                    | 15290                                    | 58  | 59      | 83                     |
| WALL/DUCT-56-6T-0.75    | 900              | 2.99                           | 1.73 |      | 0.55                    | 10000                                    | 45  | 46      | 70                     |
| WALL/DUCT-63-4T-1 IE3   | 1420             | 2.82                           | 1.62 |      | 0.75                    | 14140                                    | 58  | 59      | 98                     |
| WALL/DUCT-63-4T-1.5 IE3 | 1455             | 4.07                           | 2.34 |      | 1.10                    | 17000                                    | 59  | 60      | 104                    |
| WALL/DUCT-63-4T-2 IE3   | 1440             | 5.41                           | 3.11 |      | 1.50                    | 18900                                    | 60  | 61      | 111                    |
| WALL/DUCT-63-4T-3 IE3   | 1435             | 7.93                           | 4.56 |      | 2.20                    | 22090                                    | 61  | 62      | 113                    |
| WALL/DUCT-63-4T-4 IE3   | 1440             | 10.70                          | 6.15 |      | 3.00                    | 25390                                    | 62  | 63      | 119                    |
| WALL/DUCT-63-6T-0.75    | 900              | 2.99                           | 1.73 |      | 0.55                    | 12750                                    | 50  | 51      | 97                     |
| WALL/DUCT-71-4T-2 IE3   | 1440             | 5.41                           | 3.11 |      | 1.50                    | 21090                                    | 64  | 65      | 117                    |
| WALL/DUCT-71-4T-3 IE3   | 1435             | 7.93                           | 4.56 |      | 2.20                    | 23950                                    | 66  | 67      | 119                    |
| WALL/DUCT-71-4T-4 IE3   | 1440             | 10.70                          | 6.15 |      | 3.00                    | 29400                                    | 67  | 68      | 125                    |
| WALL/DUCT-71-6T-1 IE3   | 940              | 3.36                           | 1.93 |      | 0.75                    | 17250                                    | 53  | 54      | 112                    |
| WALL/DUCT-71-6T-1.5 IE3 | 945              | 4.68                           | 2.69 |      | 1.10                    | 20950                                    | 54  | 55      | 117                    |
| WALL/DUCT-80-4T-3 IE3   | 1435             | 7.93                           | 4.56 |      | 2.20                    | 27940                                    | 67  | 68      | 132                    |
| WALL/DUCT-80-4T-4 IE3   | 1440             | 10.70                          | 6.15 |      | 3.00                    | 32700                                    | 68  | 69      | 138                    |

| Model                     | Speed<br>(r/min) | Maximum admissible current (A) |       |       | Installed power<br>(kW) | Maximum flow rate<br>(m³/h) | Sound pressure level <sup>1</sup><br>dB (A) |         | Approx. weight<br>(Kg) |
|---------------------------|------------------|--------------------------------|-------|-------|-------------------------|-----------------------------|---|---------|------------------------|
|                           |                  | 230V                           | 400V  | 690V  |                         |                             | Inlet                                       | Exhaust |                        |
| WALL/DUCT-80-4T-5.5 IE3   | 1450             | 13.90                          | 8.00  |       | 4.00                    | 37200                       | 69  | 70      | 140                    |
| WALL/DUCT-80-6T-1.5 IE3   | 945              | 4.68                           | 2.69  |       | 1.10                    | 24250                       | 57  | 58      | 131                    |
| WALL/DUCT-80-6T-2 IE3     | 950              | 6.43                           | 3.70  |       | 1.50                    | 27960                       | 58  | 59      | 134                    |
| WALL/DUCT-90-4T-5.5 IE3   | 1450             | 13.90                          | 8.00  |       | 4.00                    | 41810                       | 75  | 76      | 176                    |
| WALL/DUCT-90-4T-7.5 IE3   | 1465             |                                | 10.30 | 5.97  | 5.50                    | 47000                       | 77  | 78      | 211                    |
| WALL/DUCT-90-4T-10 IE3    | 1465             |                                | 13.90 | 8.06  | 7.50                    | 53000                       | 78  | 79      | 215                    |
| WALL/DUCT-90-6T-2 IE3     | 950              | 6.43                           | 3.70  |       | 1.50                    | 30000                       | 63  | 64      | 167                    |
| WALL/DUCT-90-6T-3 IE3     | 950              | 9.08                           | 5.22  |       | 2.20                    | 35000                       | 64  | 65      | 175                    |
| WALL/DUCT-90-6T-4 IE3     | 970              | 12.00                          | 6.91  |       | 3.00                    | 40000                       | 65  | 66      | 193                    |
| WALL/DUCT-100-4T-7.5 IE3  | 1465             |                                | 10.30 | 5.97  | 5.50                    | 52470                       | 80  | 81      | 221                    |
| WALL/DUCT-100-4T-10 IE3   | 1465             |                                | 13.90 | 8.06  | 7.50                    | 58500                       | 81  | 82      | 224                    |
| WALL/DUCT-100-4T-15 IE3   | 1470             |                                | 20.90 | 12.10 | 11.00                   | 68000                       | 82  | 83      | 262                    |
| WALL/DUCT-100-4T-20 IE3   | 1465             |                                | 27.90 | 16.20 | 15.00                   | 71850                       | 83  | 84      | 273                    |
| WALL/DUCT-100-6T-3 IE3    | 950              | 9.08                           | 5.22  |       | 2.20                    | 40390                       | 70  | 71      | 184                    |
| WALL/DUCT-100-6T-4 IE3    | 970              | 12.00                          | 6.91  |       | 3.00                    | 46950                       | 71  | 72      | 202                    |
| WALL/DUCT-100-6T-5.5 IE3  | 960              | 15.60                          | 8.99  |       | 4.00                    | 52000                       | 72  | 73      | 208                    |
| WALL/DUCT-125-4T/6-20 IE3 | 1470             |                                | 27.90 | 16.20 | 15.00                   | 78610                       | 77  | 77      | 462                    |
| WALL/DUCT-125-4T/6-25 IE3 | 1470             |                                | 35.10 | 20.30 | 18.50                   | 92550                       | 76  | 76      | 530                    |
| WALL/DUCT-125-4T/6-30 IE3 | 1470             |                                | 41.00 | 23.80 | 22.00                   | 98830                       | 75  | 75      | 544                    |
| WALL/DUCT-125-4T/6-40 IE3 | 1475             |                                | 57.10 | 33.10 | 30.00                   | 117460                      | 75  | 75      | 625                    |
| WALL/DUCT-125-4T/6-50 IE3 | 1480             |                                | 66.80 | 38.70 | 37.00                   | 131065                      | 75  | 75      | 673                    |
| WALL/DUCT-125-4T/9-25 IE3 | 1470             |                                | 35.10 | 20.30 | 18.50                   | 79670                       | 77  | 77      | 539                    |

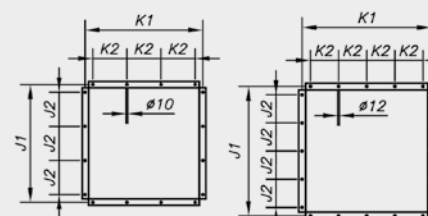
| Model                      | Speed<br>(r/min) | Maximum admissible current (A) |       |       | Installed power<br>(kW) | Maximum flow rate<br>(m³/h) | Sound pressure level <sup>1</sup><br>dB (A) |         | Approx. weight<br>(Kg) |
|----------------------------|------------------|--------------------------------|-------|-------|-------------------------|-----------------------------|---|---------|------------------------|
|                            |                  | 230V                           | 400V  | 690V  |                         |                             | Inlet                                       | Exhaust |                        |
| WALL/DUCT-125-4T/9-30 IE3  | 1470             |                                | 41.00 | 23.80 | 22.00                   | 88280                       | 76  | 76      | 553                    |
| WALL/DUCT-125-4T/9-40 IE3  | 1475             |                                | 57.10 | 33.10 | 30.00                   | 104040                      | 75  | 75      | 634                    |
| WALL/DUCT-125-4T/9-50 IE3  | 1480             |                                | 66.80 | 38.70 | 37.00                   | 118400                      | 75  | 75      | 682                    |
| WALL/DUCT-125-4T/12-30 IE3 | 1475             |                                | 41.00 | 23.80 | 22.00                   | 62895                       | 78  | 78      | 569                    |
| WALL/DUCT-125-4T/12-40 IE3 | 1470             |                                | 57.10 | 33.10 | 30.00                   | 79180                       | 77  | 77      | 650                    |
| WALL/DUCT-125-4T/12-50 IE3 | 1480             |                                | 66.80 | 38.70 | 37.00                   | 95715                       | 76  | 76      | 693                    |
| WALL/DUCT-125-6T/6-5.5 IE3 | 960              | 15.60                          | 8.99  |       | 4.00                    | 51500                       | 67  | 67      | 395                    |
| WALL/DUCT-125-6T/6-7.5 IE3 | 960              |                                | 11.20 | 6.49  | 5.50                    | 60635                       | 65  | 65      | 402                    |
| WALL/DUCT-125-6T/6-10 IE3  | 960              |                                | 14.80 | 8.58  | 7.50                    | 72650                       | 64  | 64      | 427                    |
| WALL/DUCT-125-6T/6-15 IE3  | 955              |                                | 21.90 | 12.70 | 11.00                   | 85870                       | 64  | 64      | 457                    |
| WALL/DUCT-125-6T/6-20 IE3  | 970              |                                | 28.20 | 16.30 | 15.00                   | 92855                       | 66  | 66      | 530                    |
| WALL/DUCT-125-6T/9-10 IE3  | 960              |                                | 14.80 | 8.58  | 7.50                    | 63490                       | 67  | 67      | 436                    |
| WALL/DUCT-125-6T/9-15 IE3  | 955              |                                | 21.90 | 12.70 | 11.00                   | 77570                       | 65  | 65      | 466                    |
| WALL/DUCT-125-6T/9-20 IE3  | 970              |                                | 28.20 | 16.30 | 15.00                   | 92970                       | 65  | 65      | 539                    |
| WALL/DUCT-125-6T/9-25 IE3  | 975              |                                | 35.90 | 20.80 | 18.50                   | 96500                       | 67  | 67      | 569                    |
| WALL/DUCT-125-6T/12-25 IE3 | 975              |                                | 35.90 | 20.80 | 18.50                   | 91680                       | 67  | 67      | 579                    |
| WALL/DUCT-125-6T/12-30 IE3 | 975              |                                | 42.40 | 24.60 | 22.00                   | 102040                      | 68  | 68      | 621                    |
| WALL/DUCT-125-6T/12-40 IE3 | 980              |                                | 55.40 | 32.10 | 30.00                   | 115940                      | 72  | 72      | 739                    |

<sup>1</sup> The noise level values are pressures in dB(A) measured at a distance of 10 metres in a free field.

# WALL/DUCT



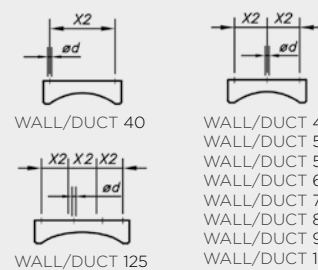
\*Wall-mounting flange



- WALL/DUCT 40
- WALL/DUCT 45
- WALL/DUCT 50
- WALL/DUCT 56
- WALL/DUCT 63
- WALL/DUCT 71
- WALL/DUCT 80

- WALL/DUCT 90
- WALL/DUCT 100
- WALL/DUCT 125

Helical ring support stand



- WALL/DUCT 40

- WALL/DUCT 45
- WALL/DUCT 50
- WALL/DUCT 56
- WALL/DUCT 63
- WALL/DUCT 71
- WALL/DUCT 80
- WALL/DUCT 90
- WALL/DUCT 100

| Model                  | A    | B    | C    | ød | D    | ØD*  | E  | F    | G    | H    | I   | J   | J1   | J2  | K1   | K2  | X2  |
|------------------------|------|------|------|----|------|------|----|------|------|------|-----|-----|------|-----|------|-----|-----|
| WALL/DUCT-40           | 640  | 590  | 650  | 10 | 600  | 400  | 82 | 430  | 430  | 450  | 80  | 255 | 700  | 200 | 700  | 200 | 200 |
| WALL/DUCT-45           | 640  | 590  | 650  | 12 | 600  | 450  | 82 | 430  | 470  | 490  | 80  | 280 | 700  | 200 | 700  | 200 | 200 |
| WALL/DUCT-50           | 690  | 690  | 700  | 12 | 700  | 500  | 82 | 560  | 470  | 490  | 80  | 305 | 790  | 220 | 790  | 220 | 200 |
| WALL/DUCT-56           | 690  | 690  | 700  | 13 | 700  | 560  | 82 | 560  | 510  | 530  | 80  | 340 | 790  | 220 | 790  | 220 | 215 |
| WALL/DUCT-63           | 990  | 990  | 1000 | 13 | 1000 | 630  | 82 | 760  | 540  | 560  | 80  | 385 | 1050 | 300 | 1050 | 300 | 215 |
| WALL/DUCT-71           | 990  | 990  | 1000 | 13 | 1000 | 710  | 82 | 760  | 605  | 630  | 80  | 445 | 1050 | 300 | 1050 | 300 | 225 |
| WALL/DUCT-80           | 990  | 990  | 1000 | 13 | 1000 | 800  | 82 | 760  | 605  | 630  | 100 | 490 | 1050 | 300 | 1050 | 300 | 280 |
| WALL/DUCT-90           | 1190 | 1190 | 1200 | 18 | 1200 | 900  | 82 | 790  | 605  | 630  | 100 | 550 | 1250 | 250 | 1250 | 250 | 280 |
| WALL/DUCT-100          | 1190 | 1190 | 1200 | 18 | 1200 | 1000 | 82 | 790  | 705  | 730  | 100 | 600 | 1250 | 250 | 1250 | 250 | 280 |
| WALL/DUCT-100-4T-15    | 1190 | 1190 | 1200 | 18 | 1200 | 1000 | 82 | 790  | 805  | 830  | 100 | 600 | 1250 | 250 | 1250 | 250 | 280 |
| WALL/DUCT-100-4T-20    | 1190 | 1190 | 1200 | 18 | 1200 | 1000 | 82 | 790  | 805  | 830  | 100 | 600 | 1250 | 250 | 1250 | 250 | 280 |
| WALL/DUCT-125          | 1490 | 1490 | 1500 | 18 | 1500 | 1250 | 82 | 1240 | 1025 | 1045 | 100 | 725 | 1600 | 300 | 1600 | 300 | 300 |
| WALL/DUCT-125-4T/6-20  | 1490 | 1490 | 1500 | 18 | 1500 | 1250 | 82 | 1240 | 825  | 845  | 100 | 725 | 1600 | 300 | 1600 | 300 | 300 |
| WALL/DUCT-125-4T/6-50  | 1490 | 1490 | 1500 | 18 | 1500 | 1250 | 82 | 1240 | 1125 | 1145 | 100 | 725 | 1600 | 300 | 1600 | 300 | 300 |
| WALL/DUCT-125-4T/9-50  | 1490 | 1490 | 1500 | 18 | 1500 | 1250 | 82 | 1240 | 1125 | 1145 | 100 | 725 | 1600 | 300 | 1600 | 300 | 300 |
| WALL/DUCT-125-4T/12-50 | 1490 | 1490 | 1500 | 18 | 1500 | 1250 | 82 | 1240 | 1125 | 1145 | 100 | 725 | 1600 | 300 | 1600 | 300 | 300 |
| WALL/DUCT-125-6T/6-5.5 | 1490 | 1490 | 1500 | 18 | 1500 | 1250 | 82 | 1240 | 825  | 845  | 100 | 725 | 1600 | 300 | 1600 | 300 | 300 |
| WALL/DUCT-125-6T/6-10  | 1490 | 1490 | 1500 | 18 | 1500 | 1250 | 82 | 1240 | 825  | 845  | 100 | 725 | 1600 | 300 | 1600 | 300 | 300 |
| WALL/DUCT-125-6T/6-15  | 1490 | 1490 | 1500 | 18 | 1500 | 1250 | 82 | 1240 | 825  | 845  | 100 | 725 | 1600 | 300 | 1600 | 300 | 300 |
| WALL/DUCT-125-6T/6-20  | 1490 | 1490 | 1500 | 18 | 1500 | 1250 | 82 | 1240 | 825  | 845  | 100 | 725 | 1600 | 300 | 1600 | 300 | 300 |
| WALL/DUCT-125-6T/9-10  | 1490 | 1490 | 1500 | 18 | 1500 | 1250 | 82 | 1240 | 825  | 845  | 100 | 725 | 1600 | 300 | 1600 | 300 | 300 |
| WALL/DUCT-125-6T/9-15  | 1490 | 1490 | 1500 | 18 | 1500 | 1250 | 82 | 1240 | 825  | 845  | 100 | 725 | 1600 | 300 | 1600 | 300 | 300 |

\* Recommended nominal tube diameter  
(C x D) Nominal size of the wall opening.