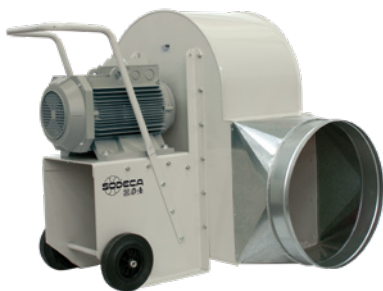




PORT

Extremely robust, high power portable air extractors



Fan:

- Portable extractor with high aspiration power.
- For the extraction of dirty and dusty air in facilities where extraction is required in an intermittent and mobile way, specially designed for industrial and agricultural applications.

Constructive features:

- Thick steel sheet casing.
- Very robust backward curved impeller.
- Support bench with long lasting wheels.
- Circular outlet flange included.
- Inlet protection grid included.

Motor:

- Motors with IE3 efficiency for powers equal to or greater than 0.75kW, except single-phase, 2-speed and 8-pole.
- Class F motors with ball bearings and IP55 protection.
- Three-phase 230/400 V 50 Hz (up to 4 kW) and 400/690 V 50 Hz (powers greater than 4 kW).

- Maximum temperature of air to be carried: -20 °C +120 °C.

Finishing:

- Anti-corrosive finish in polyester resin, polymerised at 190 °C, after degreasing with phosphate-free nanotechnology treatment.

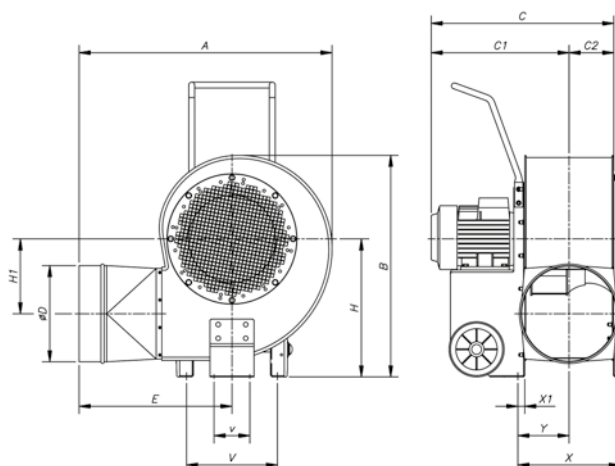
On request:

- Special windings for different voltages.
- Fan prepared to transport air up to +250 °C.
- Stainless steel fan.
- ATEX certification.

Technical characteristics

Model	Speed (r/min)	Maximum admissible current (A)			Installed power (kW)	Maximum flow rate (m³/h)	Sound pressure level dB(A)	Approx. weight (Kg)	According ErP
		230V	400V	690V					
PORT-1135-2T-3 IE3	2910	7.32	4.21		2.20	7800	83	75	2015
PORT-1240-2T-5.5 IE3	2900	13.00	7.50		4.00	11100	86	114	2015
PORT-1445-2T-10 IE3	2930		14.10	8.17	7.50	16500	87	142	2015
PORT-1650-2T-15 IE3	2945		20.00	11.60	11.00	18850	89	230	2015
PORT-1650-2T-20 IE3	2945		27.70	16.10	15.00	19500	90	243	2015

Dimensions mm



	A	B	C	C1	C2	øD	E	H	H1	øO	V	v	X	X1	Y
PORT-1135-2T-3	866	720	576.5	432	144.5	315	542	450	242.5	12	330	130	332	20	163
PORT-1240-2T-5'5	920	805	663	500.5	162.5	355	555	500	271	12	330	130	372	25	186
PORT-1445-2T-10	1050	918	745.5	562.5	183	400	635	575	271	12	370	130	411.5	25	205.5
PORT-1650-2T-15	1128	987	890.5	685	205.5	500	672	610	297	12	390	130	453	25	227
PORT-1650-2T-20	1128	987	890.5	685	205.5	500	672	610	297	12	390	130	453	25	227



Erp. (Energy Related Products)

Information on Directive 2009/125/EC can be downloaded from the SODECA website or the QuickFan selector programme.

Accessories



B