

THT/IMP

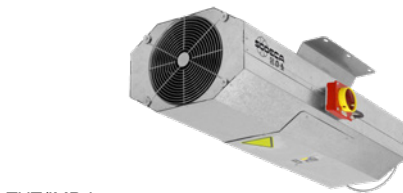
400 °C/2h and 300 °C/2h long range unidirectional or reversible jet fans



THT/IMP-C



THT/IMP-O



THT/IMP-L

300 °C/2h and 400 °C/2h long range unidirectional or reversible jet fans with a circular design (THT/IMP-C), octagonal design (THT/IMP-L) or octagonal painted design (THT/IMP-O).

Fan:

- Unidirectional or reversible fan assembly consisting of fan, silencers, deflectors and supports, approved for smoke evacuation, according to EN 12101-3, with certification N°: 0370-CPR-1363 (F400) and 0370-CPR-0822 (F300).
- Adjustable cast aluminum impeller designed to obtain high thrusts.
- Protection grid against contacts according to the UNE-EN ISO 12499 standard in unidirectional models.
- Deflector for increased air reach, on the outlet side. Reversible models are equipped with deflectors on both sides.
- High attenuation silencers with thermal and acoustic insulation.
- IAT series safety switch built into the fan (THT/IMP-L and THT/IMP-O) or on request (THT/IMP-C).
- Airflow direction from motor to impeller or 100% reversible.
- THT/IMP-C: Painted sheet steel circular casing.
- THT/IMP-L: Galvanized sheet steel casing.
- THT/IMP-O: Painted sheet metal casing.
- THT/IMP-LS: Casing of reduced length, in galvanized sheet steel.

Motor:

- Class H motors for continuous use S1 and emergency use S2. With ball bearings, IP55 protection and 2 speeds.
- Three-phase 400 V 50 Hz DAHLANDER.
- Maximum temperature of air to be carried: S1 -25 °C +40 °C continuous service, also suitable for warm climates with temperatures up to 50 °C. S2 operation, 300 °C/2h, 400 °C/2h.

Finish:

- Anti-corrosive in polyester resin polymerized at 190 °C, after degreasing with phosphate-free nanotechnological treatment (THT/IMP-C, THT/IMP-O) or anti-corrosive in galvanized steel sheet (THT/IMP-L).

On request:

- Thrust performance other than those indicated.

Order code

THT/IMP	-	O	-	UNI	-	38	-	2/4T	-	1.5	-	F400	
THT/IMP: 400 °C/2h and 300 °C/2h long range unidirectional or reversible jet fans		Design: C: Circular casing O: Painted casing L: Galvanized sheet casing LS: Casing of reduced length		Airflow direction UNI: Unidirectional REV: Reversible		Impeller diameter in cm		Number of motor poles 2=2900 r/min 50 Hz 4=1400 r/min 50 Hz		T = Three-phase		Motor power (HP)	F300: 300 °C/2h approved F400: 400 °C/2h approved

Technical characteristics

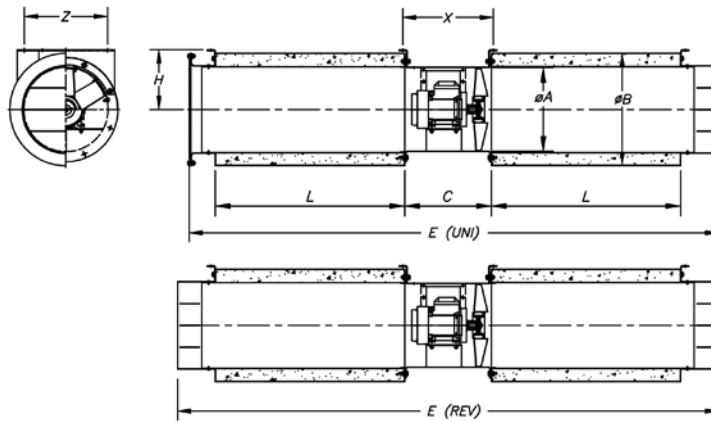
Unidirectional								
Model	Speed	Maximum admissible current (A) 400V	Maximum flow rate (m ³ /h)	Thrust (N)	Impulsion speed (m/s)	Installed power (kW)	Sound pressure level ¹ dB (A)	Approx. weight (Kg)
	(r/min)							
THT/IMP-C-UNI-31-2/4T	2780 / 1380	1.50 / 0.60	4260 / 2115	21 / 10	15.6 / 7.7	0.55 / 0.15	51 / 35	65
THT/IMP-C-UNI-35-2/4T	2905 / 1445	2.40 / 0.77	6360 / 3165	36 / 18	17.8 / 8.9	0.85 / 0.20	52 / 36	70
THT/IMP-C-UNI-38-2/4T-1.5	2900 / 1435	2.89 / 1.04	8450 / 4180	57 / 28	20.7 / 10.2	1.10 / 0.25	47 / 31	89
THT/IMP-C-UNI-40-2/4T-1.5	2900 / 1435	2.89 / 1.04	9250 / 4585	60 / 30	20.4 / 10.1	1.10 / 0.25	53 / 37	98
THT/IMP-C-UNI-45-2/4T-2	2875 / 1430	3.58 / 1.19	10800 / 5375	62 / 31	18.1 / 9.0	1.50 / 0.37	57 / 41	132
THT/IMP-C-UNI-45-2/4T-3	2885 / 1435	4.79 / 1.54	13200 / 6570	92 / 46	22.1 / 11.0	2.20 / 0.60	58 / 42	133
THT/IMP-C-UNI-50-2/4T-6	2915 / 1445	9.50 / 2.80	19700 / 9770	165 / 82	26.4 / 13.1	4.50 / 1.30	60 / 44	220
THT/IMP-O-UNI-29-2/4T	2780 / 1380	1.50 / 0.60	4000 / 1990	21 / 10	16.8 / 8.3	0.55 / 0.15	37 / 21	69
THT/IMP-O-UNI-35-2/4T	2905 / 1445	2.40 / 0.77	6360 / 3165	36 / 18	17.8 / 8.9	0.85 / 0.20	52 / 36	70
THT/IMP-O-UNI-38-2/4T-1.5	2900 / 1435	2.89 / 1.04	8450 / 4185	57 / 28	20.7 / 10.2	1.10 / 0.25	47 / 31	94
THT/IMP-O-UNI-40-2/4T-1.5	2900 / 1435	2.89 / 1.04	9250 / 4580	60 / 30	20.4 / 10.1	1.10 / 0.25	53 / 37	104
THT/IMP-O-UNI-45-2/4T-2	2875 / 1430	3.58 / 1.19	10800 / 5375	62 / 31	18.1 / 9.0	1.50 / 0.37	57 / 41	140
THT/IMP-O-UNI-45-2/4T-3	2885 / 1435	4.79 / 1.54	13200 / 6570	92 / 46	22.1 / 11.0	2.20 / 0.60	58 / 42	141
THT/IMP-O-UNI-50-2/4T-6	2915 / 1445	9.50 / 2.80	19700 / 9770	165 / 82	26.4 / 13.1	4.50 / 1.30	60 / 44	234
THT/IMP-L-UNI-29-2/4T	2780 / 1380	1.50 / 0.60	4000 / 1990	21 / 10	16.8 / 8.3	0.55 / 0.15	37 / 21	69
THT/IMP-L-UNI-35-2/4T	2905 / 1445	2.40 / 0.77	6360 / 3165	36 / 18	17.8 / 8.9	0.85 / 0.20	52 / 36	70
THT/IMP-L-UNI-38-2/4T-1.5	2900 / 1435	2.89 / 1.04	8450 / 4185	57 / 28	20.7 / 10.2	1.10 / 0.25	47 / 31	94
THT/IMP-L-UNI-40-2/4T-1.5	2900 / 1435	2.89 / 1.04	9250 / 4580	60 / 30	20.4 / 10.1	1.10 / 0.25	53 / 37	104
THT/IMP-L-UNI-45-2/4T-2	2875 / 1430	3.58 / 1.19	10800 / 5375	62 / 31	18.1 / 9.0	1.50 / 0.37	57 / 41	140
THT/IMP-L-UNI-45-2/4T-3	2885 / 1435	4.79 / 1.54	13200 / 6570	92 / 46	22.1 / 11.0	2.20 / 0.60	58 / 42	141
THT/IMP-L-UNI-50-2/4T-6	2915 / 1445	9.50 / 2.80	19700 / 9770	165 / 82	26.4 / 13.1	4.50 / 1.30	60 / 44	234
THT/IMP-LS-UNI-29-2/4T	2780 / 1380	1.50 / 0.60	4000 / 1990	21 / 10	16.8 / 8.3	0.55 / 0.15	39 / 23	55
THT/IMP-LS-UNI-35-2/4T	2905 / 1445	2.40 / 0.77	6360 / 3165	36 / 18	17.8 / 8.9	0.85 / 0.20	54 / 38	56
THT/IMP-LS-UNI-38-2/4T-1.5	2900 / 1435	2.89 / 1.04	8450 / 4185	57 / 28	20.7 / 10.2	1.10 / 0.25	49 / 33	76
THT/IMP-LS-UNI-40-2/4T-1.5	2900 / 1435	2.89 / 1.04	9250 / 4580	60 / 30	20.4 / 10.1	1.10 / 0.25	55 / 39	83
THT/IMP-LS-UNI-45-2/4T-2	2875 / 1430	3.58 / 1.19	10800 / 5375	62 / 31	18.1 / 9.0	1.50 / 0.37	59 / 43	112
THT/IMP-LS-UNI-45-2/4T-3	2885 / 1435	4.79 / 1.54	13200 / 6570	92 / 46	22.1 / 11.0	2.20 / 0.60	60 / 44	113
THT/IMP-LS-UNI-50-2/4T-6	2915 / 1445	9.50 / 2.80	19700 / 9770	165 / 82	26.4 / 13.1	4.50 / 1.30	62 / 46	187

¹ Sound pressure level in dB(A) at a distance of 10 m and at maximum flow rate.

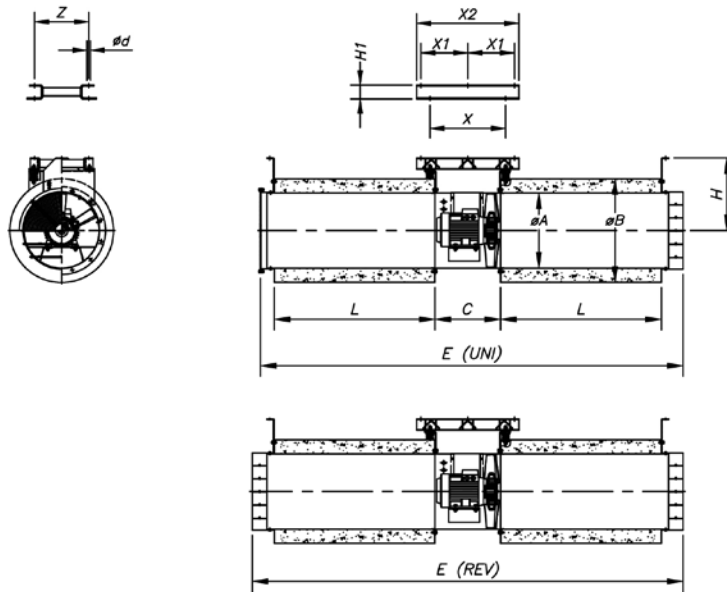
Reversible								
Model	Speed	Maximum admissible current (A) 400V	Maximum flow rate (m ³ /h)	Thrust (N)	Impulsion speed (m/s)	Installed power (kW)	Sound pressure level ¹ dB (A)	Approx. weight (Kg)
	(r/min)							
THT/IMP-C-REV-31-2/4T	2780 / 1380	1.50 / 0.60	3840 / 1910	17 / 8	14.1 / 7.0	0.55 / 0.15	50 / 34	63
THT/IMP-C-REV-35-2/4T	2905 / 1445	2.40 / 0.77	5940 / 2955	31 / 15	16.7 / 8.3	0.85 / 0.20	51 / 35	70
THT/IMP-C-REV-38-2/4T-2	2875 / 1430	3.58 / 1.19	8200 / 4080	54 / 27	20.1 / 10.0	1.50 / 0.37	49 / 33	91
THT/IMP-C-REV-40-2/4T-2	2875 / 1430	3.58 / 1.19	9250 / 4605	60 / 30	20.4 / 10.1	1.50 / 0.37	52 / 36	100
THT/IMP-C-REV-45-2/4T-2	2875 / 1430	3.58 / 1.19	10300 / 5125	56 / 28	17.2 / 8.6	1.50 / 0.37	56 / 40	131
THT/IMP-C-REV-45-2/4T-3	2885 / 1435	4.79 / 1.54	12800 / 6370	87 / 43	21.4 / 10.6	2.20 / 0.60	57 / 41	133
THT/IMP-C-REV-50-2/4T-6	2915 / 1445	9.50 / 2.80	19000 / 9420	153 / 76	25.4 / 12.6	4.50 / 1.30	60 / 44	267
THT/IMP-O-REV-29-2/4T	2780 / 1380	1.50 / 0.60	3400 / 1690	15 / 7	14.3 / 7.1	0.55 / 0.15	38 / 22	67
THT/IMP-O-REV-35-2/4T	2905 / 1445	2.40 / 0.77	5940 / 2955	31 / 15	16.7 / 8.3	0.85 / 0.20	51 / 35	70
THT/IMP-O-REV-38-2/4T-2	2875 / 1430	3.58 / 1.19	8200 / 4080	54 / 27	20.1 / 10	1.50 / 0.37	49 / 33	97
THT/IMP-O-REV-40-2/4T-2	2875 / 1430	3.58 / 1.19	9250 / 4605	60 / 30	20.4 / 10.1	1.50 / 0.37	52 / 36	106
THT/IMP-O-REV-45-2/4T-2	2875 / 1430	3.58 / 1.19	10300 / 5125	56 / 28	17.2 / 8.6	1.50 / 0.37	56 / 40	139
THT/IMP-O-REV-45-2/4T-3	2885 / 1435	4.79 / 1.54	12800 / 6370	87 / 43	21.4 / 10.6	2.20 / 0.60	57 / 41	141
THT/IMP-O-REV-50-2/4T-6	2915 / 1445	9.50 / 2.80	19000 / 9420	153 / 76	25.4 / 12.6	4.50 / 1.30	60 / 44	284
THT/IMP-L-REV-29-2/4T	2780 / 1380	1.50 / 0.60	3400 / 1690	15 / 7	14.3 / 7.1	0.55 / 0.15	38 / 22	67
THT/IMP-L-REV-35-2/4T	2905 / 1445	2.40 / 0.77	5940 / 2955	31 / 15	16.7 / 8.3	0.85 / 0.20	51 / 35	70
THT/IMP-L-REV-38-2/4T-2	2875 / 1430	3.58 / 1.19	8200 / 4080	54 / 27	20.1 / 10.0	1.50 / 0.37	49 / 33	97
THT/IMP-L-REV-40-2/4T-2	2875 / 1430	3.58 / 1.19	9250 / 4605	60 / 30	20.4 / 10.1	1.50 / 0.37	52 / 36	106

Dimensions mm

C: Circular casing



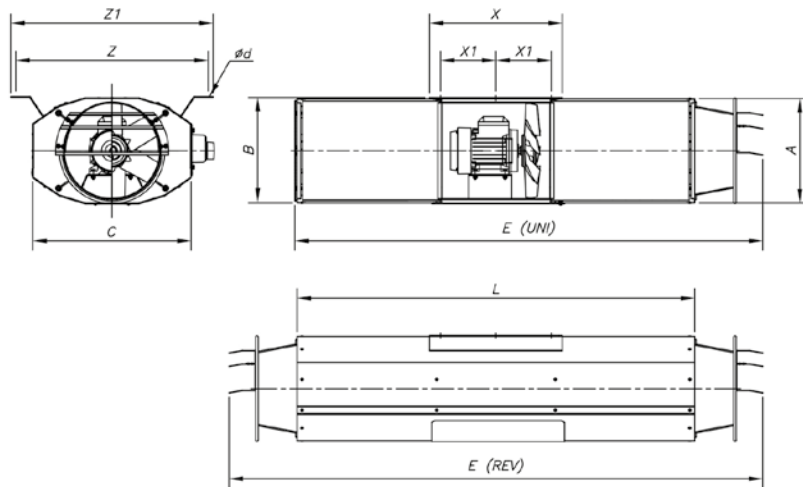
	ϕA	ϕB	C	L	ϕd	E (UNI)	E (REV)	H	X	Z
THT/IMP-C-31	315	415	320	700	10	1956	2000	220	345	275
THT/IMP-C-35	355	460	325	700	12	1960	2005	250	346	300
THT/IMP-C-38	380	460	340	1000	12	2570	2620	250	530	517
THT/IMP-C-40	410	510	340	950	12	2485	2540	280	376	340
THT/IMP-C-45	460	630	360	950	12	2500	2554	355	396	440



	ϕA	ϕB	C	L	ϕd	E (UNI)	E (REV)	H	H1	X	X1	X2	Z
THT/IMP-C-50	514	710	450	1100	12	2895	2950	498	80	518	320	700	370

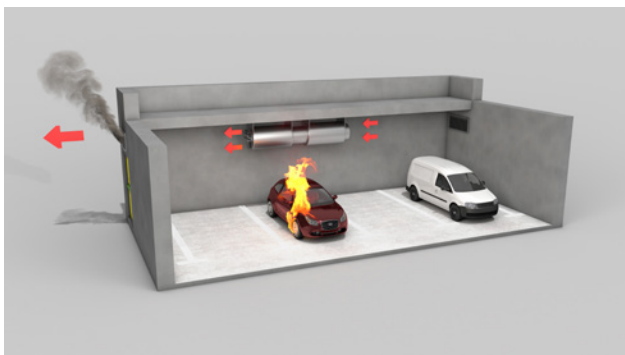
Dimensions mm

O: Painted casing
L: Galvanised sheet casing
LS: Casing of reduced length



	A	B	C	ød	E (UNI)	E (REV)	L	X	X1	Z	Z1
THT/IMP-LS-29	319.5	324	479	12x26	1410	1610	1200	400	167	580	610
THT/IMP-L-29	319.5	324	479	12x26	2210	2410	2000	400	167	580	610
THT/IMP-O-29	319.5	324	479	12x26	2210	2410	2000	400	167	580	610
THT/IMP-LS-35	383	386	523	12x26	1410	1610	1200	400	167	614	644
THT/IMP-L-35	383	386	523	12x26	2210	2410	2000	400	167	614	644
THT/IMP-O-35	383	386	523	12x26	2210	2410	2000	400	167	614	644
THT/IMP-LS-38	406	409	550	12x26	1410	1610	1200	400	170	640	670
THT/IMP-L-38	406	409	550	12x26	2210	2410	2000	400	170	640	670
THT/IMP-O-38	406	409	550	12x26	2210	2410	2000	400	170	640	670
THT/IMP-LS-40	436	439	582	12x26	1410	1610	1200	400	170	670	700
THT/IMP-L-40	436	439	582	12x26	2210	2410	2000	400	170	670	700
THT/IMP-O-40	436	439	582	12x26	2210	2410	2000	400	170	670	700
THT/IMP-LS-45	486	489	630	12x26	1410	1610	1200	400	170	724	754
THT/IMP-L-45	486	489	630	12x26	2210	2410	2000	400	170	724	754
THT/IMP-O-45	486	489	630	12x26	2210	2410	2000	400	170	724	754
THT/IMP-LS-50	546	549	742	12x26	1445	1675	1200	560	255	778	808
THT/IMP-L-50	546	549	742	12x26	2245	2475	2000	560	255	778	808
THT/IMP-O-50	546	549	742	12x26	2245	2475	2000	560	255	778	808

Application in garages



Installation of Jet Fan inside fire danger zone

Accessories



Configuration with BOXPARK



Control panels for car park ventilation systems with triple purpose: daily ventilation, CO concentration control and smoke extraction in case of fire

Control panels in metal enclosure with all the necessary elements for the management and control of fans in car park ventilation systems, whether they are based on duct networks or impulse fans, for the control of CO concentration levels and smoke extraction in case of fire. Customised panels for all power ratings and number of fans according to project requirements.

More information see BOXPARK series.

Installation examples with BOXPARK

