

# HPX/ATEX

**Axial fans with external motor, ATEX 2G or 2D certification and Ex db, Ex eb, Ex tb motors. ATEX 3G or 3D fan option only inside with normal motor**



Notified authority: LOM  
 Identification no.: LOM 03ATEX0132  
 Motor marking:  
 Ⓜ II 2G Ex db IIB T4 Gb  
 Ⓜ II 2G Ex eb IIB T3 Gb  
 Ⓜ II 2D Ex tb IIIC T135 °C Db  
 Ⓜ II 3G Ex h IIB T3 Gc



Belt driven tubular axial fans with casing aperture up to 180° to facilitate maintenance and cleaning. ATEX 2G or 2D certification with flameproof Ex db, increased safety Ex eb or dust ignition proof Ex tb motor to work in explosive gas or dust atmospheres. They can also be supplied with a motor without ATEX category for ATEX category 3 fans only inside the fan.

#### Fan:

- Tubular casing made of sheet steel with aluminium strip in rotor zone, in accordance with standard EN 14986.
- Cast aluminium impellers.
- Guard belts and pulleys with copper coating to avoid sparks.
- Watertight transmission group (IP66) with double seal system.
- Airflow direction from pulley to impeller.
- Temperature of the air to be carried: -25 °C to +120 °C (T3) and -25 °C +88 °C (T4).
- Standard marking Ex db version with flameproof motor (Ex db): II 2G Ex h IIB T4 Gb.
- Standard marking Ex eb version with increased safety motor (Ex eb): II 2G Ex h IIB T3 Gb.
- Standard marking for Ex n version with motor without ATEX category: II 3G Ex h IIB T3 Gc only inside the fan.

#### Motor:

- Class F motors with ball bearings and ATEX certification flameproof Ex db, increased safety Ex eb or dust ignition proof Ex tb. Also motor without ATEX classification.
- Three-phase 230/400 V 50 Hz (up to 4 kW) and 400/690 V 50 Hz (powers greater than 4 kW).
- Working temperature: -20 °C +40 °C.

#### Finish:

- Anti-corrosive with ATEX paint, free of iron components, in polyester resin polymerized at 190 °C, after degreasing with phosphate-free nanotechnological treatment.

#### On request:

- Motors with built-in PTC.
- Airflow direction from impeller to pulley.
- Special windings for different voltages and frequencies.
- ATEX fan with greater protection than the standard marking.
- Fans with 2 speed motor.

## Order code

<b>HPX/ATEX</b>	-	<b>63</b>	-	<b>4T</b>	-	<b>2</b>	/	<b>2G Ex eb</b>
↓		↓		↓		↓		↓
HPX/ATEX: Axial fans with external motor, ATEX 2G or 2D certification and Ex db, Ex eb, Ex tb motors. ATEX 3G or 3D fan option only inside with normal motor		Impeller size		Number of motor poles 2=3000 r/min 50 Hz 4=1500 r/min 50 Hz	T = Three-phase	Motor power (HP)		2G Ex eb: for zones 1 and 2 2G Ex db: for zones 1 and 2 2D Ex tb: for zones 21 and 22 3G Ex n: for inside zone 2

## Technical characteristics

Model	Speed (r/min)	Maximum admissible current (A)			Installed power (kW)	Maximum flow rate (m³/h)	Sound pressure level <sup>1</sup> dB (A)		Approx. weight (Kg)
		230V	400V	690V			Inlet		
HPX/ATEX-35-2T-0.75	2845	2.21	1.27		0.55	4790	67	22	
HPX/ATEX-35-4T-0.33	1380	1.25	0.72		0.25	2510	50	20	
HPX/ATEX-45-4T-0.33	1380	1.25	0.72		0.25	6120	59	32	
HPX/ATEX-45-4T-0.50	1370	2.60	1.50		0.37	6200	60	36	
HPX/ATEX-50-4T-0.75	1420	2.87	1.65		0.55	9000	62	33	
HPX/ATEX-50-4T-1	1410	3.81	2.20		0.75	10840	63	35	
HPX/ATEX-56-4T-0.75	1420	2.87	1.65		0.55	11300	65	36	
HPX/ATEX-56-4T-1	1410	3.81	2.20		0.75	12200	66	37	
HPX/ATEX-56-4T-1.5	1435	4.54	2.61		1.10	14445	68	43	
HPX/ATEX-63-4T-1.5	1435	4.54	2.61		1.10	16135	69	63	
HPX/ATEX-63-4T-2	1400	6.93	4.00		1.50	17175	73	71	
HPX/ATEX-71-4T-1.5	1435	4.54	2.61		1.10	20300	73	78	
HPX/ATEX-71-4T-2	1400	6.93	4.00		1.50	22500	74	85	
HPX/ATEX-71-4T-3	1440	8.30	4.77		2.20	24195	76	86	
HPX/ATEX-80-4T-4	1450	11.27	6.48		3.00	32500	79	105	
HPX/ATEX-80-4T-5.5	1460	15.29	8.79		4.00	37605	79	108	
HPX/ATEX-90-4T-5.5	1460	15.29	8.79		4.00	44000	85	120	
HPX/ATEX-90-4T-7.5	1455		10.64	18.50	5.50	52250	87	155	
HPX/ATEX-100-4T-10	1460		14.39	25.03	7.50	63000	91	175	
HPX/ATEX-100-4T-15	1470		20.76	36.10	11.00	67735	92	206	

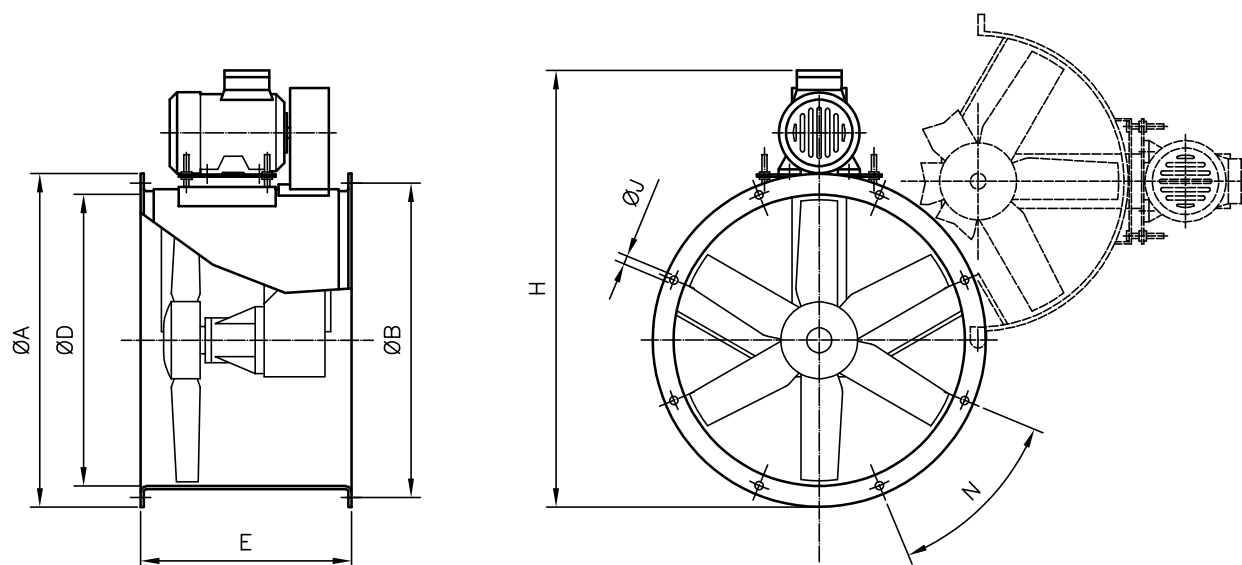
1. The noise level values are pressures in dB(A) measured at a distance of 3 metres in a free field.

## Acoustic characteristics

Sound power spectrum Lw(A) in dB(A) per Hz frequency band  
Values measured at inlet with maximum flow rate

	63	125	250	500	1000	2000	4000	8000		63	125	250	500	1000	2000	4000	8000
HPX/ATEX-35-2T-0.75	48	63	82	81	82	81	76	67	HPX/ATEX-63-4T-2	62	73	83	89	90	85	74	70
HPX/ATEX-35-4T-0.33	31	46	65	64	65	64	59	50	HPX/ATEX-71-4T-1.5	55	75	83	88	90	87	80	69
HPX/ATEX-45-4T-0.33	40	55	74	73	74	73	68	59	HPX/ATEX-71-4T-2	56	76	84	89	91	88	81	70
HPX/ATEX-45-4T-0.50	41	56	75	74	75	74	69	60	HPX/ATEX-71-4T-3	65	76	86	92	93	88	77	73
HPX/ATEX-50-4T-0.75	44	58	77	77	78	76	72	63	HPX/ATEX-80-4T-4	61	81	89	94	96	93	86	75
HPX/ATEX-50-4T-1	45	59	78	78	79	77	73	64	HPX/ATEX-80-4T-5.5	68	79	89	95	96	91	80	76
HPX/ATEX-56-4T-0.75	47	67	75	80	82	79	72	61	HPX/ATEX-90-4T-5.5	67	88	95	100	103	99	92	81
HPX/ATEX-56-4T-1	48	68	76	81	83	80	73	62	HPX/ATEX-90-4T-7.5	69	90	97	102	105	101	94	83
HPX/ATEX-56-4T-1.5	57	68	78	84	85	80	69	65	HPX/ATEX-100-4T-10	73	93	101	106	108	105	98	87
HPX/ATEX-63-4T-1.5	51	71	79	84	86	83	76	65	HPX/ATEX-100-4T-15	74	94	102	107	109	106	99	88

## Dimensions mm

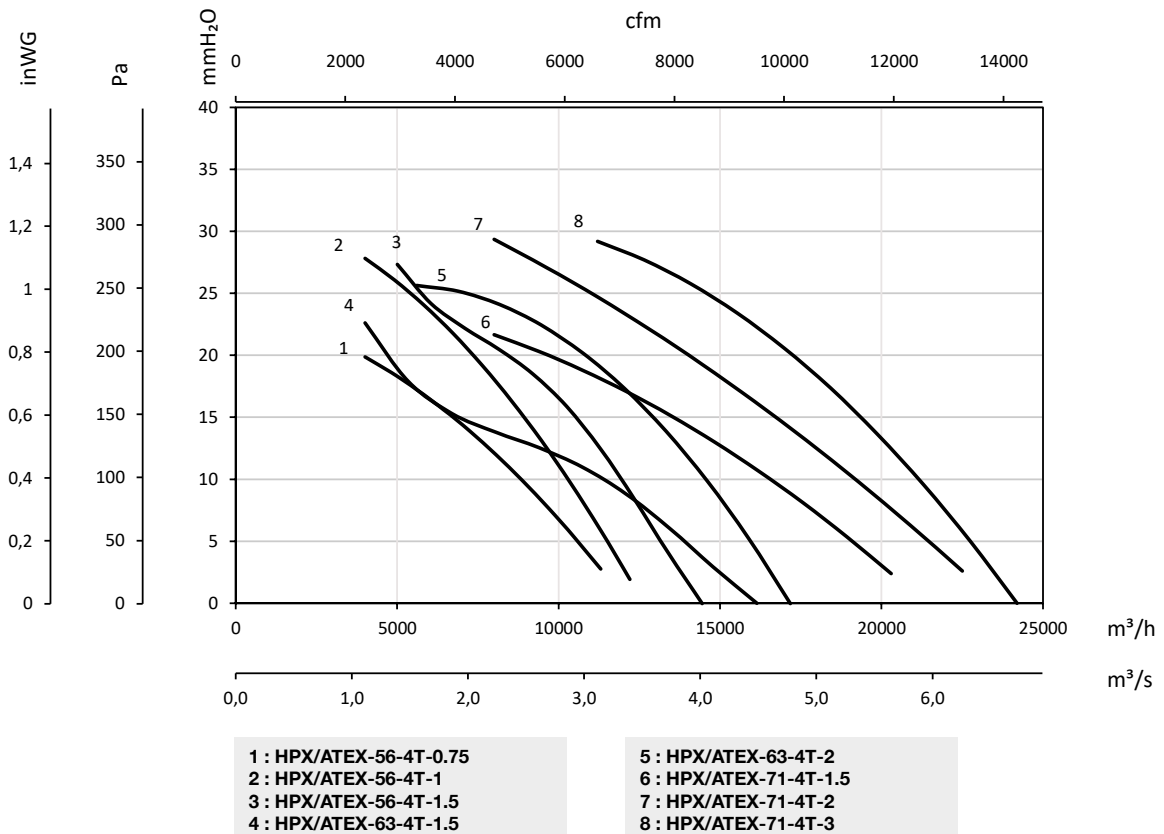
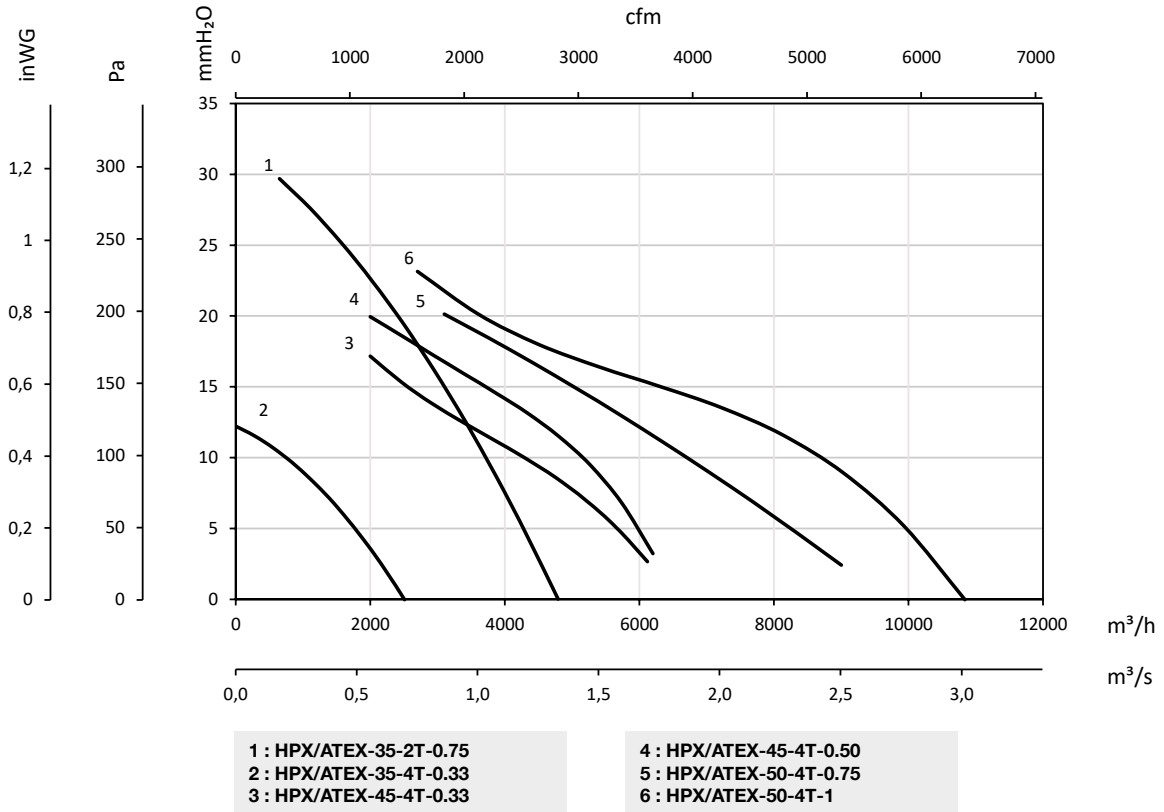


	ØA	ØB	ØD	E	H	ØJ	N
HPX/ATEX-35-2T-0.75	425	395	355	380	606	10	8x45°
HPX/ATEX-35-4T-0.33	425	395	355	380	609	10	8x45°
HPX/ATEX-45-4T-0.33	540	500	460	420	740	12	8x45°
HPX/ATEX-45-4T-0.50	540	500	460	420	728	12	8x45°
HPX/ATEX-50-4T-0.75	600	560	512	420	803	12	12x30°
HPX/ATEX-50-4T-1	600	560	512	420	803	12	12x30°
HPX/ATEX-56-4T-0.75	660	620	560	450	848	12	12x30°
HPX/ATEX-56-4T-1	660	620	560	450	848	12	12x30°
HPX/ATEX-56-4T-1.5	660	620	560	450	870	12	12x30°
HPX/ATEX-63-4T-1.5	730	690	640	500	950	12	12x30°
HPX/ATEX-63-4T-2	730	690	640	500	950	12	12x30°
HPX/ATEX-71-4T-1.5	810	770	710	550	1017	12	16x22''30°
HPX/ATEX-71-4T-2	810	770	710	550	1017	12	16x22''30°
HPX/ATEX-71-4T-3	810	770	710	550	1035	12	16x22''30°
HPX/ATEX-80-4T-4	900	860	800	600	1173	12	16x22''30°
HPX/ATEX-80-4T-5.5	900	860	800	600	1200	12	16x22''30°
HPX/ATEX-90-4T-5.5	1015	970	900	650	1320	15	16x22''30°
HPX/ATEX-90-4T-7.5	1015	970	900	650	1320	15	16x22''30°
HPX/ATEX-100-4T-10	1115	1070	1000	750	1483	15	16x22''30°
HPX/ATEX-100-4T-15	1115	1070	1000	750	1513	15	16x22''30°

## Characteristic curves

Q= Flow rate in m<sup>3</sup>/h, m<sup>3</sup>/s and cfm

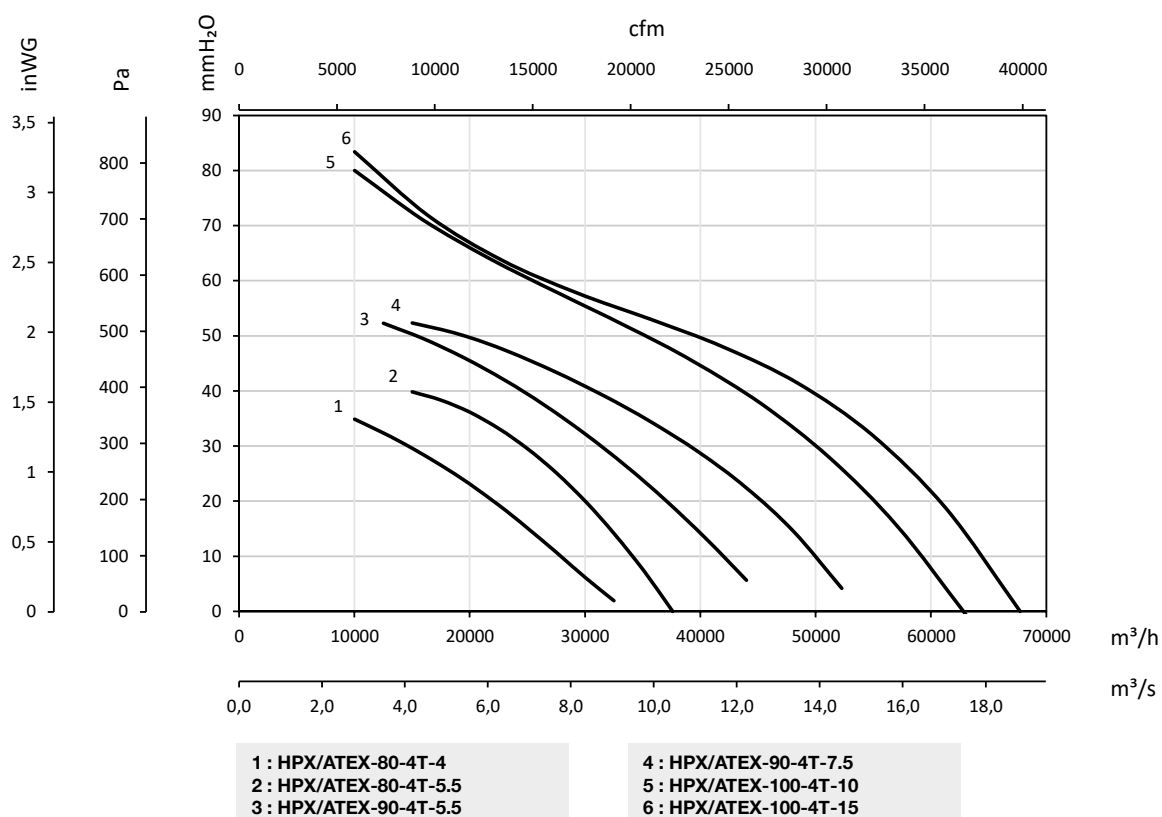
Pe= Static pressure in mm H<sub>2</sub>O, Pa and inwg



## Characteristic curves

Q= Flow rate in m<sup>3</sup>/h, m<sup>3</sup>/s and cfm

Pe= Static pressure in mm H<sub>2</sub>O, Pa and inwg



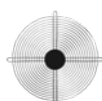
## Accessories



INT/ATEX



P



RT



PV



BTUB



PS



PT



PT/H



S