

# CMP/ATEX *Centrifugal medium-pressure fans fitted with multi-blade impeller with ATEX certification*



ATEX version on request made from stainless steel

Centrifugal single-inlet, medium-pressure fans with casing and sheet steel impeller to work in explosive atmospheres.

**Fan:**

- Steel sheet casing
- Impeller with forward-facing blades made from galvanised sheet steel
- Spark-proof inlet ring in copper or aluminium
- Max. air temperature to transport: -20°C+ 80°C

**Motor:**

- Class F insulation, IP55 with ATEX certification, Ex"e" explosion-proof or Ex"d" flame-resistant
- Three phase, 50Hz, 230/400V motors up to and including 4kW. 400/690V over 4kW

**Finish:**

- Rust retardant finish with ATEX paint, containing no ferrous components, in polyester resin polymerised at 190°C, after phosphate free pre-treatment

**On request:**

- Built-in motors with PTC
- Special windings for different electrical supplies and frequencies
- ATEX construction for different categories
- Made from stainless steel

Ex "e" marked:  $\text{CE} \text{Ex} \text{II} 2\text{G} \text{Ex} \text{e}$   
 Ex "d" marked:  $\text{CE} \text{Ex} \text{II} 2\text{G} \text{Ex} \text{d}$   
 Notified authority: L.O.M  
 Ex tc marked:  $\text{CE} \text{Ex} \text{II} 3\text{D} \text{Ex} \text{tc}$   
 Ex tb marked:  $\text{CE} \text{Ex} \text{II} 2\text{D} \text{Ex} \text{tb}$   
**Identification No:**  
**LOM04ATEX0007**

**Order code**

**CMP/ATEX — 1128 — 2T — 5,5 — Ex-e**

Centrifugal medium-pressure fans fitted with multi-blade impeller with ATEX certification

Impeller size

Number of motor pole  
 2=2900 r/min. 50 Hz  
 4=1400 r/min. 50 Hz

T=Three-phase  
 Motor power (HP)

Ex-e: marked:  $\text{CE} \text{Ex} \text{II} 2\text{G} \text{Ex} \text{e} \text{IIB} \text{T}3$   
 Ex "d" marked:  $\text{CE} \text{Ex} \text{II} 2\text{G} \text{Ex} \text{d} \text{IIB} \text{T}5$   
 Ex tc marked:  $\text{CE} \text{Ex} \text{II} 3\text{D} \text{Ex} \text{tc}$   
 Ex tb marked:  $\text{CE} \text{Ex} \text{II} 2\text{D} \text{Ex} \text{tb}$

**Marked:**  
 $\text{CE} \text{Ex} \text{II} 2\text{G} \text{c}$   
 $\text{CE} \text{Ex} \text{II} 2\text{D} \text{c}$   
 $\text{CE} \text{Ex} \text{II} 3\text{D} \text{c}$

**Technical characteristics**

Model	Speed (r/min)	Maximum current (A)			Installed power (kW)	Maximum airflow (m³/h)	Sound pressure level dB(A)	Approx. weight with motor (Kg)	
		230V	400V	690V				Ex-e	Ex-d
CMP-616-2T/ATEX	2710	2.94	1.70		0.55	1380	69	9	19
CMP-616-4T/ATEX	1320	0.65	0.38		0.09	850	61	9	16
CMP-620-2T/ATEX	2770	2.08	1.20		0.37	765	68	11	21
CMP-620-4T/ATEX	1320	0.65	0.38		0.09	810	61	9	16
CMP-718-2T/ATEX	2820	3.46	2.00		0.75	1485	70	14	26
CMP-718-4T/ATEX	1370	2.08	1.20		0.25	1280	63	11	20
CMP-820-2T/ATEX	2850	4.50	2.60		1.10	1950	73	18	31
CMP-820-4T/ATEX	1370	2.08	1.20		0.25	1670	66	12	21
CMP-922-2T-1.5/ATEX	2850	4.50	2.60		1.10	1650	70	23	36
CMP-922-2T-2/ATEX	2800	6.24	3.60		1.50	2010	71	24	43
CMP-922-2T-3/ATEX	2860	8.66	5.00		2.20	2600	74	27	48
CMP-922-4T/ATEX	1410	2.94	1.70		0.55	2450	66	20	34
CMP-1025-2T-3/ATEX	2860	8.66	5.00		2.20	2100	73	29	50
CMP-1025-2T-4/ATEX	2845	12.12	7.00		3.00	2830	77	34	58
CMP-1025-4T/ATEX	1410	5.20	3.00		1.10	3400	70	27	46
CMP-1128-2T-4/ATEX	2845	12.12	7.00		3.00	2220	77	37	61
CMP-1128-2T-5.5/ATEX	2910	15.42	8.90		4.00	3210	81	41	62
CMP-1128-4T/ATEX	1410	9.01	5.20		2.20	5000	74	37	60
CMP-1231-4T-3/ATEX	1410	9.01	5.20		2.20	4740	73	46	69
CMP-1231-4T-4/ATEX	1440	12.30	7.10		3.00	5910	75	49	72

**Technical characteristics**

Model	Speed (r/min)	Maximum current (A)			Installed power (kW)	Maximum airflow (m³/h)	Sound pressure level dB(A)	Approx. weight with motor (Kg)	
		230V	400V	690V				Ex-e	Ex-d
CMP-1231-4T-5.5/ATEX	1450	15.76	9.10		4.00	6850	77	53	77
CMP-1435-4T-4/ATEX	1440	12.30	7.10		3.00	5560	76	54	77
CMP-1435-4T-5.5/ATEX	1450	15.76	9.10		4.00	6260	78	61	85
CMP-1435-4T-7.5/ATEX	1440		12.00	6.93	5.50	7210	80	74	113
CMP-1640-4T-5.5/ATEX	1450	15.76	9.10		4.00	7000	77	79	103
CMP-1640-4T-7.5/ATEX	1440		12.00	6.93	5.50	8035	80	92	131
CMP-1640-4T-10/ATEX	1448		16.30	9.41	7.50	9710	82	100	134
CMP-1845-4T-7.5/ATEX	1440		12.00	6.93	5.50	8000	82	94	133
CMP-1845-4T-10/ATEX	1448		16.30	9.41	7.50	10000	85	102	136
CMP-2050-4T-10/ATEX	1448		16.30	9.41	7.50	9000	83	135	169
CMP-2050-4T-15/ATEX	1460		23.80	13.74	11.00	12525	87	162	259
CMP-2050-4T-20/ATEX	1450		30.60	17.67	15.00	16500	89	181	282

**Acoustic features**

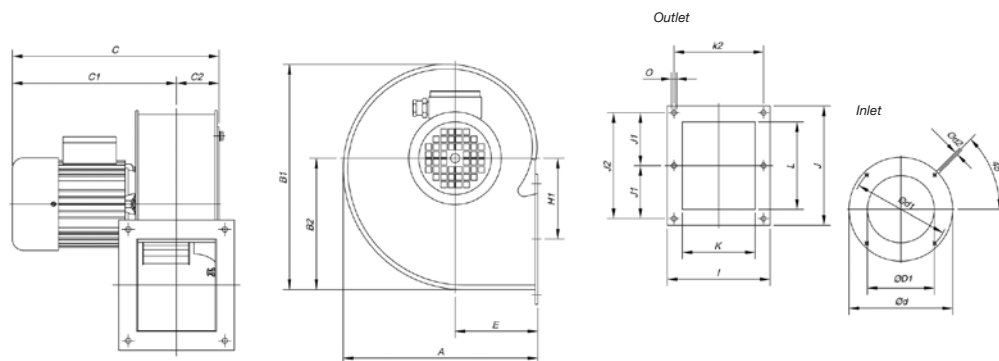
The specified values are determined according to free field measurements of pressure and sound levels in dB(A) at an equivalent distance of twice the fan's span plus the turbine's diameter, with a minimum of 1.5 m.

Sound power Lw(A) spectrum in dB(A) via frequency band in Hz.

Model	Lp dB (A)	63	125	250	500	1000	2000	4000	8000	Model	Lp dB (A)	63	125	250	500	1000	2000	4000	8000
CMP-616-2T/ATEX	69	44	54	65	72	76	73	71	64	CMP-1128-2T-5.5/ATEX	81	56	66	77	84	88	85	83	76
CMP-616-4T/ATEX	61	36	46	57	64	68	65	63	56	CMP-1128-4T/ATEX	74	49	59	70	77	81	78	76	69
CMP-620-2T/ATEX	68	43	53	64	71	75	72	70	63	CMP-1231-4T-3/ATEX	73	51	60	71	78	82	80	78	71
CMP-620-4T/ATEX	61	36	46	57	64	68	65	63	56	CMP-1231-4T-4/ATEX	75	53	62	73	80	84	82	80	73
CMP-718-2T/ATEX	70	45	55	66	73	77	74	72	65	CMP-1231-4T-5.5/ATEX	77	55	64	75	82	86	84	82	75
CMP-718-4T/ATEX	63	38	48	59	66	70	67	65	58	CMP-1435-4T-4/ATEX	76	54	63	74	81	85	83	81	74
CMP-820-2T/ATEX	73	48	58	69	76	80	77	75	68	CMP-1435-4T-5.5/ATEX	78	56	65	76	83	87	85	83	76
CMP-820-4T/ATEX	66	41	51	62	69	73	70	68	61	CMP-1435-4T-7.5/ATEX	80	58	67	78	85	89	87	85	78
CMP-922-2T-1.5/ATEX	70	45	55	66	73	77	74	72	65	CMP-1640-4T-5.5/ATEX	77	55	64	75	82	86	84	82	75
CMP-922-2T-2/ATEX	71	46	56	67	74	78	75	73	66	CMP-1640-4T-7.5/ATEX	80	58	67	78	85	89	87	85	78
CMP-922-2T-3/ATEX	74	49	59	70	77	81	78	76	69	CMP-1640-4T-10/ATEX	82	60	69	80	87	91	89	87	80
CMP-922-4T/ATEX	66	41	51	62	69	73	70	68	61	CMP-1845-4T-7.5/ATEX	82	61	71	82	89	93	91	89	81
CMP-1025-2T-3/ATEX	73	48	58	69	76	80	77	75	68	CMP-1845-4T-10/ATEX	85	64	74	85	92	96	94	92	84
CMP-1025-2T-4/ATEX	77	52	62	73	80	84	81	79	72	CMP-2050-4T-10/ATEX	83	62	72	83	90	94	92	90	82
CMP-1025-4T/ATEX	70	45	55	66	73	77	74	72	65	CMP-2050-4T-15/ATEX	87	66	76	87	94	98	96	94	86
CMP-1128-2T-4/ATEX	77	52	62	73	80	84	81	79	72	CMP-2050-4T-20/ATEX	89	68	78	89	96	100	98	96	88

**Dimensions in mm**

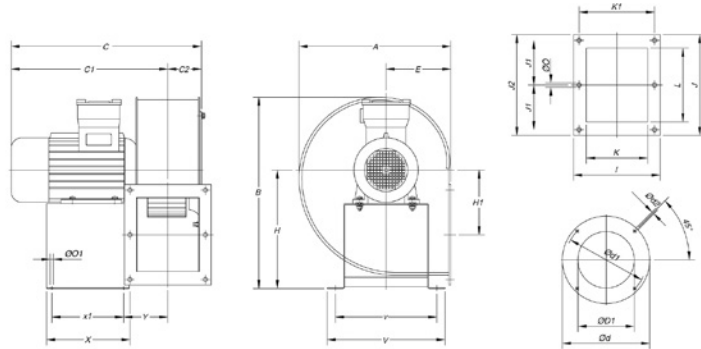
**CMP-616...820**



Model	A	B1	B2	C	C1	C2	øD1*	ød	ød1	ød2	E	H1	I	J	J1	J2	K	k2	L	øO
CMP-616-2T/ATEX	258	297	173.5	320	264	56	160	204	180	M6	110	105.5	153	172	-	147	103	128	122	7
CMP-616-4T/ATEX	258	297	173.5	283	227	56	160	204	180	M6	110	105.5	153	172	-	147	103	128	122	7
CMP-620-2T/ATEX	298	347	202.5	321	265	56	200	247	230	M6	126	145.5	159	153	-	128	105	134	100	8
CMP-620-4T/ATEX	298	347	202.5	283	227	56	200	247	230	M6	126	145.5	159	153	-	128	105	134	100	8
CMP-718-2T/ATEX	303.5	348	201	355	294	61	180	238	210	M6	129.5	122	169	192	85	170	115	145	146	9
CMP-718-4T/ATEX	303.5	348	201	331	270	61	180	238	210	M6	129.5	122	169	192	85	170	115	145	146	9
CMP-820-2T/ATEX	322	377	223	369.5	301	68.5	200	247	230	M6	137.5	137	184	213	94.5	189	130	160	156	9
CMP-820-4T/ATEX	322	377	223	345.5	277	68.5	200	247	230	M6	137.5	137	184	213	94.5	189	130	160	156	9

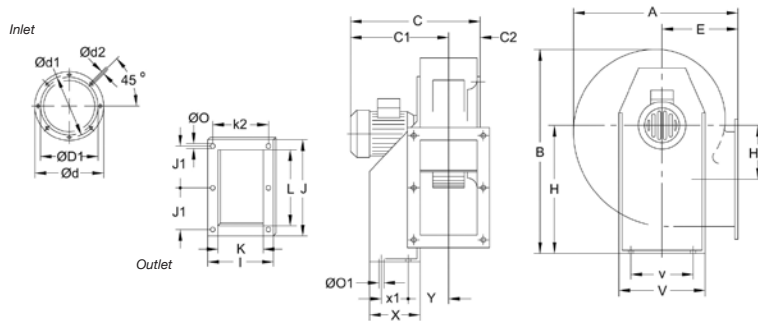
Dimensions in mm

CMP-616...820



Model	A	B	C	C1	C2	øD1	ød	ød1	ød2	E	H	H1	I	J	J1	J2	K	k1	L	øO	øO1	V	v	X	x1	Y
CMP (Ex-d)-616-2T	258	400	376	318.5	57.5	160	204	180	M.6	109.5	251	107	153	172	-	147	103	128	125	7	9	250	215	175	145	83.5
CMP (Ex-d)-616-4T	258	380	346	288.5	57.5	160	204	180	M.6	109.5	243	107	153	172	-	147	103	128	125	7	9	250	215	175	145	78.5
CMP (Ex-d)-620-2T	298	400	376	320	56	200	247	230	M.6	126	251	145.5	159	153	-	128	105	134	100	8	9	250	215	175	145	84.5
CMP (Ex-d)-620-4T	298	388	346	290	56	200	247	230	M.6	126	243	145.5	159	153	-	128	105	134	100	9	9	250	215	175	145	79.5
CMP (Ex-d)-718-2T	303.5	440	396	335	61	180	238	210	M.6	129.5	260	122	169	192	85	170	115	145	146	9	9	250	215	175	145	94.5
CMP (Ex-d)-718-4T	303.5	400	386	325	61	180	238	210	M.6	129.5	251	122	169	192	85	170	115	145	146	9	9	250	215	175	145	94.5
CMP (Ex-d)-820-2T	322	440	415	343.5	71.5	200	247	230	M.6	137.5	260	137	184	213	94.5	189	130	160	156	9	9	250	215	175	145	102
CMP (Ex-d)-820-4T	322	405	403	331.5	71.5	200	247	230	M.6	137.5	251	137	184	213	94.5	189	130	160	156	9	9	250	215	175	145	97

CMP-922...1231

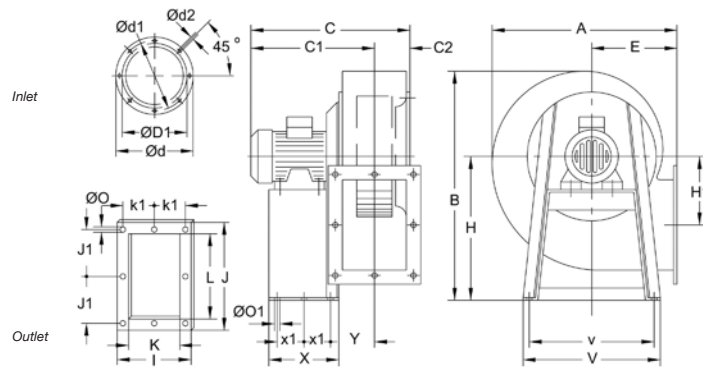


Model	Ex-"e"		Ex-"d"		øD1*	ød	ød1	ød2	E	H	H1	I	J	J1	K	k2	L	øO	øO1	V	v	X	x1	Y			
	A	B	C	C1																							
CMP-922-2T-1.5/ATEX	388.5	455	382	309	424	351	73.5	224	278	256	M.8	180	280	134	204	282.5	128	140	180	215	9.5	10.5	290	220	114	50	105
CMP-922-2T-2/ATEX	388.5	455	423.5	350	430.5	357	73.5	224	278	256	M.8	180	280	134	204	282.5	128	140	180	215	9.5	10.5	290	220	114	50	105
CMP-922-2T-3/ATEX	388.5	455	423.5	350	430.5	357	73.5	224	278	256	M.8	180	280	134	204	282.5	128	140	180	215	9.5	10.5	290	220	114	50	105
CMP-922-4T/ATEX	388.5	455	382.5	309	424	351	73.5	224	278	256	M.8	180	280	134	204	282.5	128	140	180	215	9.5	10.5	290	220	114	50	105
CMP-1025-2T-3/ATEX	427	503	456	370	466	380	86	250	305	282	M.8	197	310	144	229	312.5	145	165	205	250	9.5	12.5	315	228	134	74	115.5
CMP-1025-2T-4/ATEX	427	503	486	400	516	430	86	250	305	282	M.8	197	310	144	229	312.5	145	165	205	250	9.5	12.5	315	228	134	74	115.5
CMP-1025-4T/ATEX	427	503	456	370	466	380	86	250	305	282	M.8	197	310	144	229	312.5	145	165	205	250	9.5	12.5	315	228	134	74	115.5
CMP-1128-2T-4/ATEX	472	553	493.5	400	532.5	434	93.5	280	348	320	M.8	216	340	152	244	364	170	180	220	296.5	9.5	12.5	348	245	144	95	122.5
CMP-1128-2T-5.5/ATEX	472	553	553.5	451	553.5	451	93.5	280	348	320	M.8	216	340	152	244	364	170	180	220	296.5	9.5	12.5	348	245	144	95	122.5
CMP-1128-4T/ATEX	472	553	493.5	400	532.5	434	93.5	280	348	320	M.8	216	340	152	244	364	170	180	220	296.5	9.5	12.5	348	245	144	95	122.5
CMP-1231-4T-3/ATEX	526	630	520.5	417	547.5	444	103.5	315	382	354	M.8	238	390	179.5	264	382.5	180	200	240	320	11.5	13	382	322	183	140	126
CMP-1231-4T-4/ATEX	526	630	520.5	417	547.5	444	103.5	315	382	354	M.8	238	390	179.5	264	382.5	180	200	240	320	11.5	13	382	322	183	140	126
CMP-1231-4T-5.5/ATEX	526	630	543.5	440	576.5	434	103.5	315	382	354	M.8	238	390	179.5	264	382.5	180	200	240	320	11.5	13	382	322	183	140	126

\* Recommended nominal diameter for duct.

Dimensions in mm

CMP-1435...2050



Model	Ex-"e"		Ex-"d"				C2	øD1*	ød	ød1	ød2	E	H	H1	I	J	J1	K	k1	L	øO	øO1	V	v	X	x1	Y
	A	B	C	C1	C	C1																					
CMP-1435-4T-4/ATEX	573.5	715	527	409	577	459	118	355	422	394	M.8	250	445	242.5	292	342.5	159	228	133	280	11.5	12	456	420	333	136.5	150
CMP-1435-4T-5.5/ATEX	573.5	715	572	545	597	479	118	355	422	394	M.8	250	445	242.5	292	342.5	159	228	133	280	11.5	12	456	420	333	136.5	150
CMP-1435-4T-7.5/ATEX	573.5	715	610	492	670	552	118	355	422	394	M.8	250	445	242.5	292	342.5	159	228	133	280	11.5	12	456	420	333	136.5	150
CMP-1640-4T-5.5/ATEX	634	799	596	465	621	491	130	400	464	438	M.8	270	495	271	336	404	185	250	150	321	11.5	12	500	460	327	133.5	162.5
CMP-1640-4T-7.5/ATEX	634	799	634	504	693	563	130	400	464	438	M.8	270	495	271	336	404	185	250	150	321	11.5	12	500	460	327	133.5	162.5
CMP-1640-4T-10/ATEX	634	799	634	504	693	563	130	400	464	438	M.8	270	495	271	336	404	185	250	150	321	11.5	12	500	460	327	133.5	162.5
CMP-1845-4T-7.5/ATEX	711	901	668	521	727	580	147	450	515	485	M.8	302	560	305	370	444	202	284	164	361	11.5	12	538	502	340	140	179.5
CMP-1845-4T-10/ATEX	711	901	668	521	727	580	147	450	515	485	M.8	302	560	305	370	444	202	284	164	361	11.5	12	538	502	340	140	179.5
CMP-2050-4T-10/ATEX	797	987	700.5	538	759	596.5	162.5	500	565	535	M.10	345	610	313	411	544	250	315	182.5	451	11.5	12	653	615	435	188	196
CMP-2050-4T-15/ATEX	797	987	818.5	656	923.5	764.5	162.5	500	565	535	M.10	345	610	313	411	544	250	315	182.5	451	11.5	12	653	615	435	188	196
CMP-2050-4T-20/ATEX	797	987	859.5	697	923.5	764.5	162.5	500	565	535	M.10	345	610	313	411	544	250	315	182.5	451	11.5	12	653	615	435	188	196

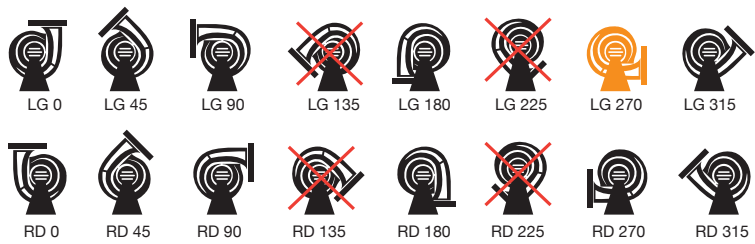
\* Recommended nominal diameter for duct.

Characteristic curves

See page 162

Positions

LG 270 standard supply  
 LG 180 and RD 180 positions on request and with special fixing measures.



Accessories

See accessories section.





## CMP/ATEX

**Centrifugal medium-pressure fans fitted with multi-blade impeller with ATEX certification**

Centrifugal single-inlet, medium-pressure fans with casing and sheet steel impeller to work in explosive atmospheres.



## CMP/MAR

**Centrifugal medium-pressure fans fitted with multi-blade impeller for marine applications**

Centrifugal single-inlet, medium-pressure fans with casing and sheet steel impeller to work in marine environments and fitted with motor for service marine



## CMPI

**Centrifugal medium-pressure fans fitted with multi-blade impeller made from stainless steel AISI-304**

Centrifugal single-inlet, medium-pressure fans with casing and turbine in stainless steel, to work in chemical, aggressive or marine environments



Characteristic curves

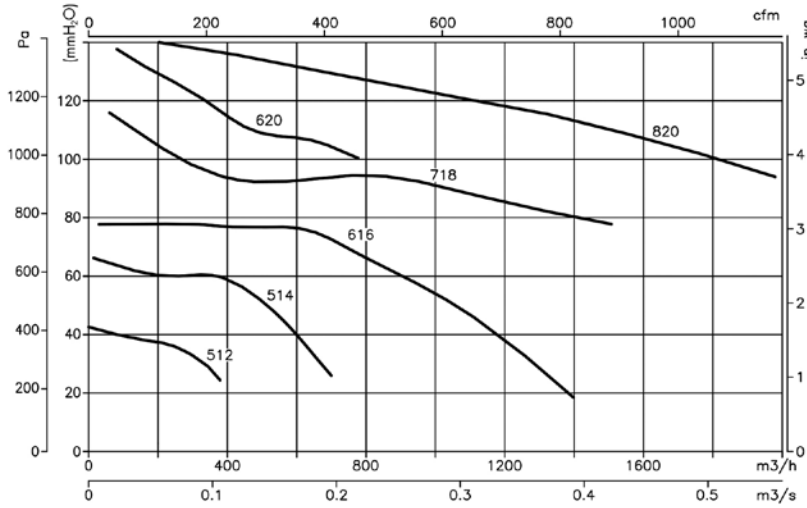
CMP/ATEX CMP/MAR CMPI

Q = Airflow in m<sup>3</sup>/h, m<sup>3</sup>/s and cfm.

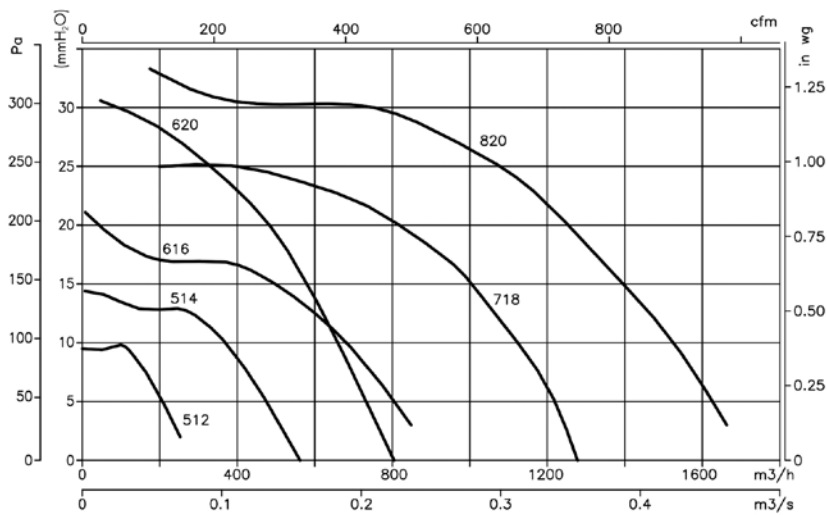
Pe = Static pressure in mmH<sub>2</sub>O, Pa and inwg.

512...820

2T/2M=3000 r/min

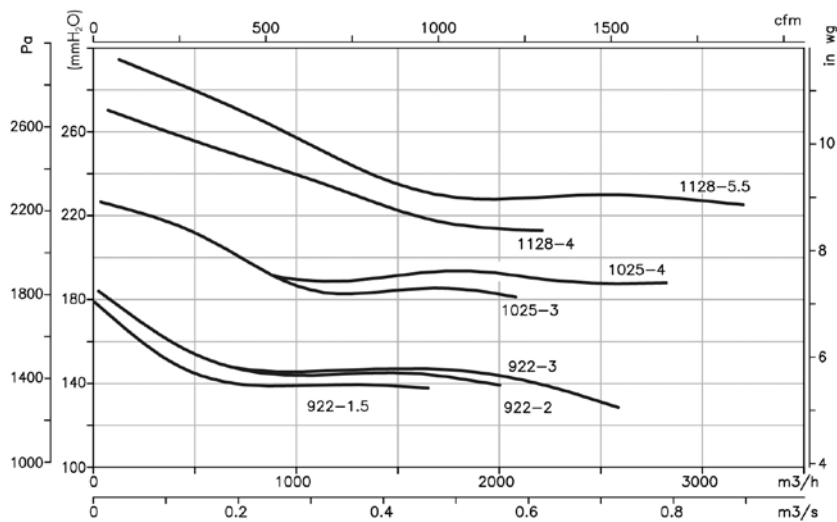


4T/4M=1500 r/min



922...1231

2T=3000 r/min



**Characteristic curves**

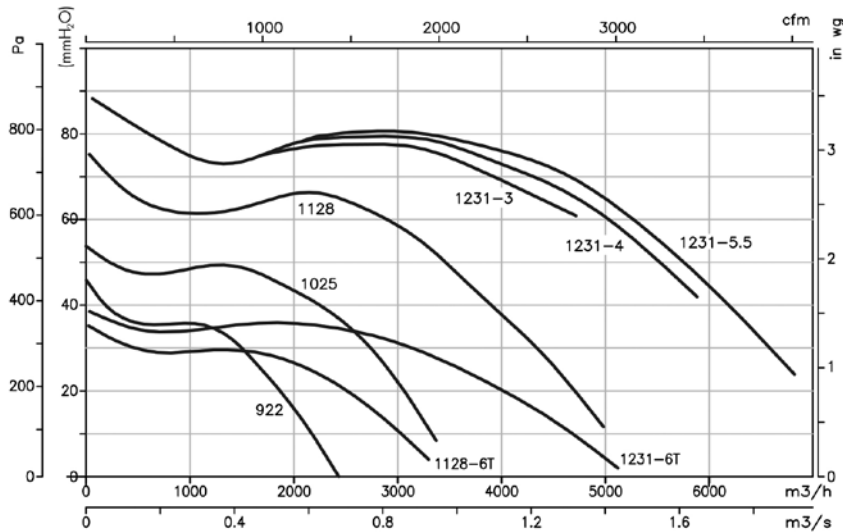
**CMP/ATEX CMP/MAR CMPI**

Q = Airflow in m<sup>3</sup>/h, m<sup>3</sup>/s and cfm.

Pe = Static pressure in mmH<sub>2</sub>O, Pa and inwg.

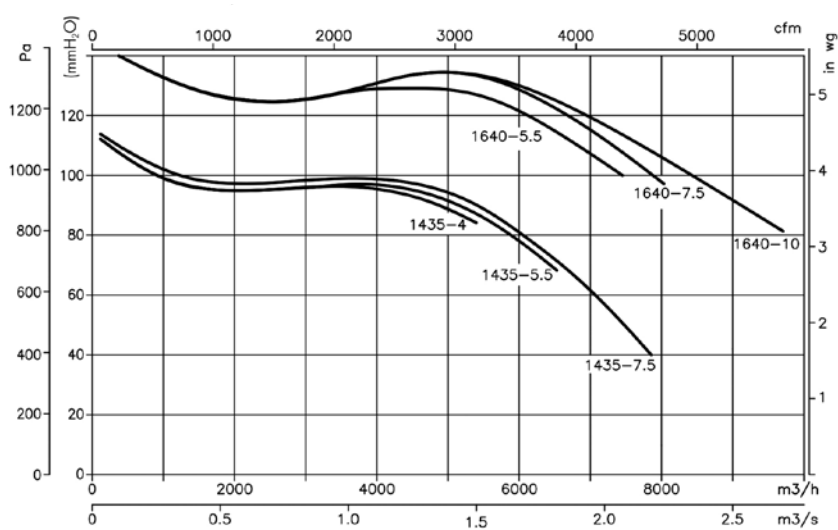
4T=1500 r/min 6T=1000 r/min

**922...1231**



**1435...2563**

4T=1500 r/min



Characteristic curves

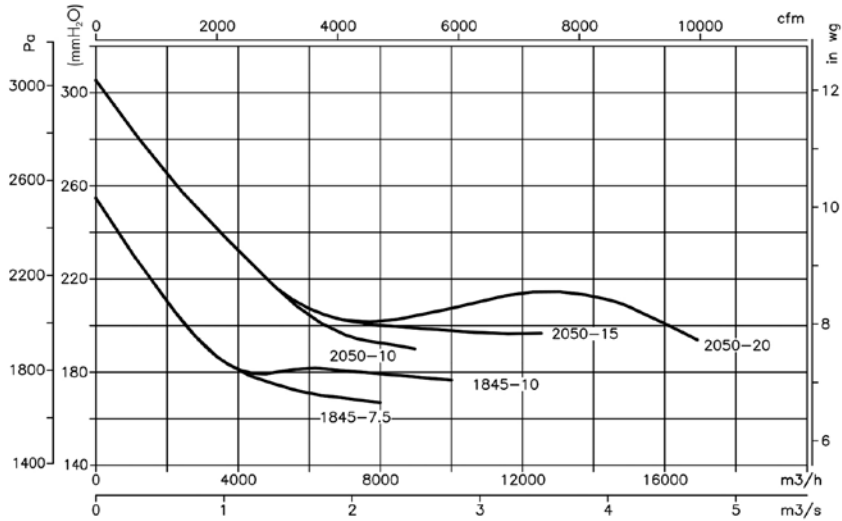
CMP/ATEX CMP/MAR CMPI

Q = Airflow in m<sup>3</sup>/h, m<sup>3</sup>/s and cfm.

Pe= Static pressure in mmH<sub>2</sub>O, Pa and inwg.

1435...2563

4T=1500 r/min



6T=1000 r/min

