

# CJMP

400 °C/2h centrifugal extractor fan units with forward curved impeller



400 °C/2h single inlet extractor fan units with acoustically insulated box, for outdoor operation in fire risk zones.

#### Fan:

- Sheet steel casing.
- Forward curved impeller in galvanized sheet steel.
- Approved in accordance with standard EN 12101-3, with certificate no.: 0370-CPR-0402.

#### Motor:

- Class F motors with ball bearings and IP55 protection.
- Motors with IE3 efficiency for powers equal to or greater than 0,75 kW, except single-phase, 2-speed and 8-pole.

- Three-phase 230/400 V 50 Hz (up to 4 kW) and 400/690 V 50 Hz (powers greater than 4 kW).
- Maximum temperature of air to be carried: S1 -20 °C+ 250 °C continuous service. S2 300 °C/2h and 400 °C/2h service.

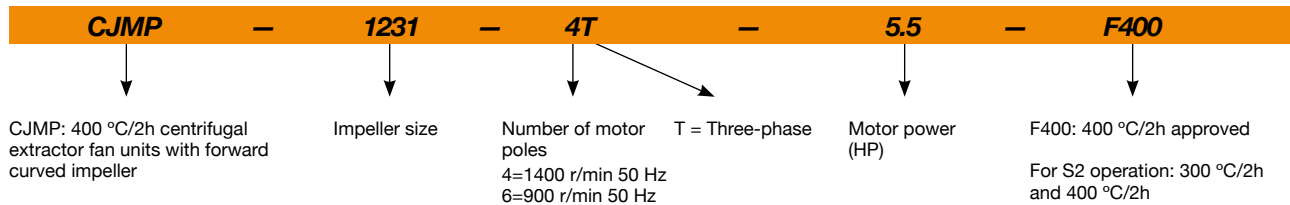
#### Finishing:

- Anti-corrosive in galvanized steel sheet.

#### On request:

- Fans with 2 speed motor.
- Belt-driven extractor fans.

## Order code



## Technical characteristics

Model	Speed (r/min)	Maximum admissible current (A)			Installed power (kW)	Maximum flow rate (m³/h)	Sound pressure level dB (A)	Approx. weight (Kg)
		230V	400V	690V				
CJMP-820-4T	1350	1.66	0.96		0.25	1670	52	25
CJMP-922-4T	1380	2.92	1.69		0.55	2450	53	55
CJMP-1025-4T-1.5 IE3	1455	4.07	2.34		1.10	3400	57	69
CJMP-1025-4T-2 IE3	1440	5.41	3.11		1.50	3650	59	72
CJMP-1128-4T-3 IE3	1435	7.93	4.56		2.20	5000	61	87
CJMP-1128-4T-4 IE3	1440	10.70	6.15		3.00	5450	62	90
CJMP-1128-6T IE3	940	3.36	1.93		0.75	3300	48	79
CJMP-1231-4T-3 IE3	1435	7.93	4.56		2.20	4740	62	103
CJMP-1231-4T-4 IE3	1440	10.70	6.15		3.00	5910	64	106
CJMP-1231-4T-5.5 IE3	1450	13.90	8.00		4.00	6850	66	113
CJMP-1231-6T IE3	950	6.43	3.70		1.50	5120	54	103
CJMP-1435-4T-4 IE3	1440	10.70	6.15		3.00	5400	65	126
CJMP-1435-4T-5.5 IE3	1450	13.90	8.00		4.00	6260	67	133
CJMP-1435-4T-7.5 IE3	1465		10.30	5.97	5.50	7210	69	143
CJMP-1435-4T-10 IE3	1465		13.90	8.06	7.50	9380	74	151
CJMP-1435-6T IE3	950	9.08	5.22		2.20	6400	58	128

## Technical characteristics

Model	Speed (r/min)	Maximum admissible current (A)			Installed power (kW)	Maximum flow rate (m³/h)	Sound pressure level dB (A)	Approx. weight (Kg)
		230V	400V	690V				
CJMP-1640-4T-5.5 IE3	1450	13.90	8.00		4.00	7000	66	151
CJMP-1640-4T-7.5 IE3	1465		10.30	5.97	5.50	8040	69	161
CJMP-1640-4T-10 IE3	1465		13.90	8.06	7.50	9710	74	169
CJMP-1640-6T IE3	950	9.08	5.22		2.20	8100	61	146
CJMP-1845-4T-7.5 IE3	1465		10.30	5.97	5.50	8000	73	181
CJMP-1845-4T-10 IE3	1465		13.90	8.06	7.50	10000	79	189
CJMP-1845-6T IE3	950	9.08	5.22		2.20	7500	69	166
CJMP-2050-4T-10 IE3	1465		13.90	8.06	7.50	9000	77	233
CJMP-2050-4T-15 IE3	1470		20.90	12.10	11.00	12520	81	257
CJMP-2050-4T-20 IE3	1465		27.90	16.20	15.00	16500	83	269
CJMP-2050-6T IE3	960	15.60	8.99		4.00	11000	71	228



### Erp. (Energy Related Products)

Information on Directive 2009/125/EC can be downloaded from the SODECA website or the QuickFan selector programme.

## Acoustic characteristics

The indicated values are determined by measuring the sound pressure level and sound power in dB(A) obtained in a free field at a distance equivalent to twice the size of the fan plus the impeller diameter, with a minimum of 1.5 m.

Sound power spectrum Lw(A) in dB(A) per Hz frequency band

	63	125	250	500	1000	2000	4000	8000		63	125	250	500	1000	2000	4000	8000
CJMP-820-4T	34	44	55	62	66	63	61	54	CJMP-1435-4T-10	57	66	77	84	88	86	84	77
CJMP-922-4T	35	45	56	63	67	64	62	55	CJMP-1435-6T	41	50	61	68	72	70	68	61
CJMP-1025-4T-1.5	39	49	60	67	71	68	66	59	CJMP-1640-4T-5.5	49	58	69	76	80	78	76	69
CJMP-1025-4T-2	41	51	62	69	73	70	68	61	CJMP-1640-4T-7.5	52	61	72	79	83	81	79	72
CJMP-1128-4T-3	43	53	64	71	75	72	70	63	CJMP-1640-4T-10	57	66	77	84	88	86	84	77
CJMP-1128-4T-4	44	54	65	72	76	73	71	64	CJMP-1640-6T	44	53	64	71	75	73	71	64
CJMP-1128-6T	30	40	51	58	62	59	57	50	CJMP-1845-4T-7.5	55	65	76	83	87	85	83	75
CJMP-1231-4T-3	45	54	65	72	76	74	72	65	CJMP-1845-4T-10	61	71	82	89	93	91	89	81
CJMP-1231-4T-4	47	56	67	74	78	76	74	67	CJMP-1845-6T	51	61	72	79	83	81	79	71
CJMP-1231-4T-5.5	49	58	69	76	80	78	76	69	CJMP-2050-4T-10	59	69	80	87	91	89	87	79
CJMP-1231-6T	37	46	57	64	68	66	64	57	CJMP-2050-4T-15	63	73	84	91	95	93	91	83
CJMP-1435-4T-4	48	57	68	75	79	77	75	68	CJMP-2050-4T-20	65	75	86	93	97	95	93	85
CJMP-1435-4T-5.5	50	59	70	77	81	79	77	70	CJMP-2050-6T	53	63	74	81	85	83	81	73
CJMP-1435-4T-7.5	52	61	72	79	83	81	79	72									

## Orientations

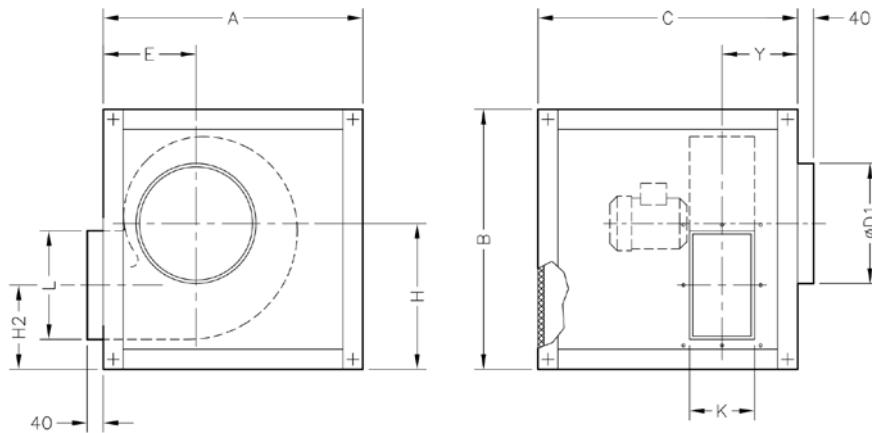
Standard supply LG 270

Positions LG 180 and RD 180 on request with special anchoring measurements.



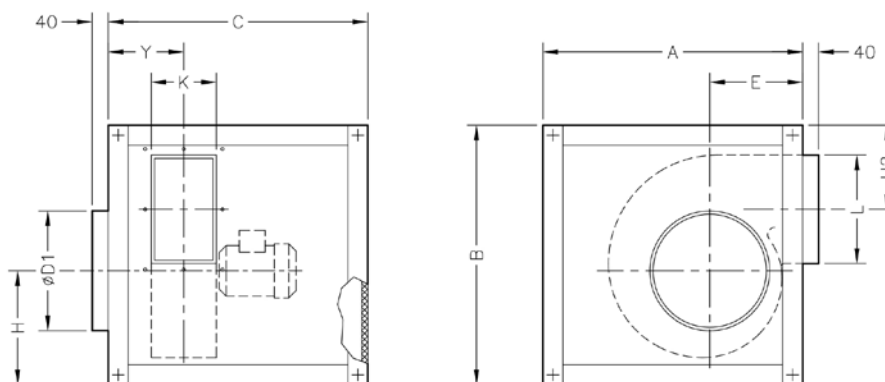
## Dimensions mm

Standard supply: LG-270



	A	B	C	ØD1	E	H	H2	K	L	Y
CJMP-820	400	450	450	200	142	263	126	130	156	112
CJMP-922	610	610	610	224	187	349	215	140	215	176
CJMP-1025	660	660	660	250	204	379	235	165	250	178.5
CJMP-1128	720	720	720	280	223	409	257	180	295	191
CJMP-1231	800	800	800	315	245	459	279.5	200	320	205
CJMP-1435	880	880	880	355	257	514	271.5	230	280	291
CJMP-1640	970	970	970	400	277	564	293	250	320	324
CJMP-1845	1070	1070	1070	450	309	629	324	284	360	357
CJMP-2050	1160	1160	1160	500	352	679	366	315	450	385.5

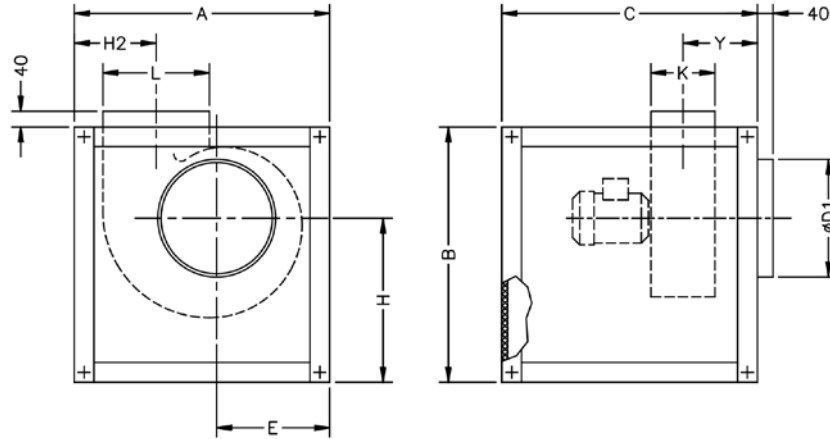
Supply on request: LG-90



	A	B	C	ØD1	E	H	H2	K	L	Y
CJMP-922	720	720	720	224	187	349	237	140	215	176
CJMP-1025	800	800	800	250	204	379	277	165	250	178
CJMP-1128	880	880	880	280	223	409	319	180	295	191
CJMP-1231	970	970	970	315	245	459	332	200	320	205
CJMP-1435	1070	1070	1070	355	257	514	314	230	280	291
CJMP-1640	1160	1160	1160	400	277	564	325	250	320	325
CJMP-1845	865	1260	1050	450	309	629	326	284	360	357
CJMP-2050	965	1400	1200	500	352	679	408	315	450	383.5

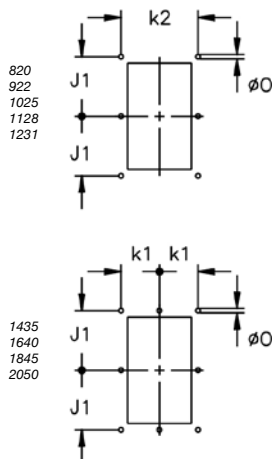
## Dimensions mm

Supply on request: LG-0



	A	B	C	ØD1	E	H	H2	K	L	Y
CJMP-922	610	610	610	224	279	349	197	140	215	176
CJMP-1025	660	660	660	250	302	379	214	165	250	178.5
CJMP-1128	720	720	720	280	335	409	233	180	295	191
CJMP-1231	800	800	800	315	366	459	255	200	320	205
CJMP-1435	880	880	880	355	385	514	253	230	280	291
CJMP-1640	970	970	970	400	412	564	287	250	320	324
CJMP-1845	1070	1070	1070	450	446	629	319	284	360	357
CJMP-2050	1160	1160	1160	500	485	679	362	315	450	383.5

## Outlet nozzle

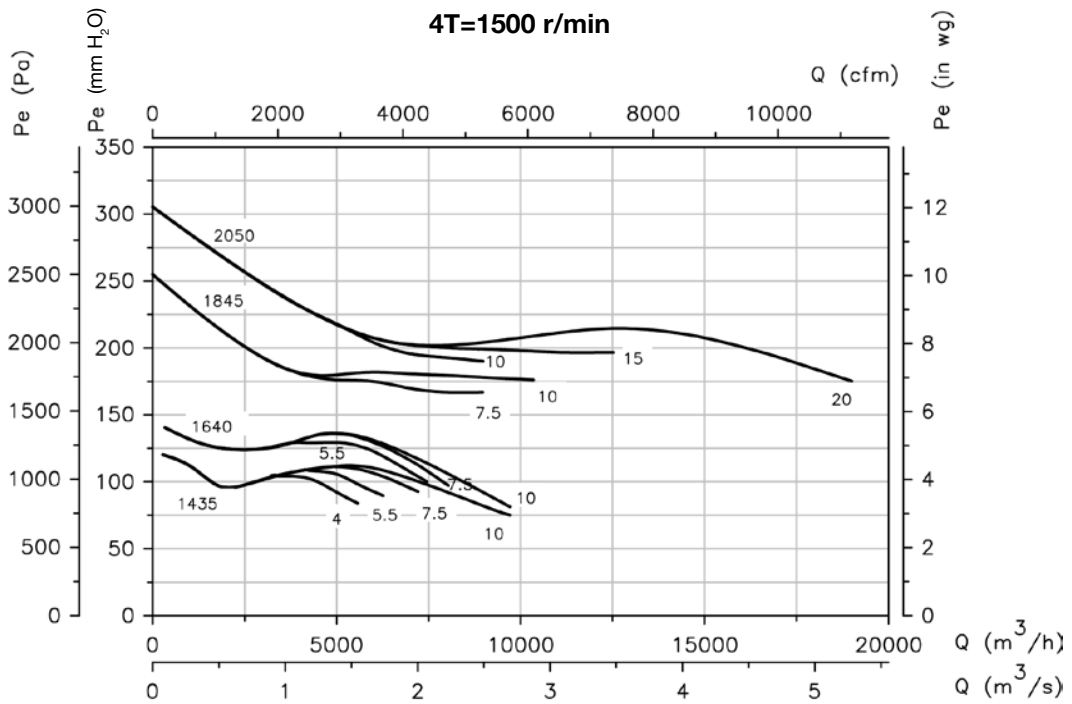
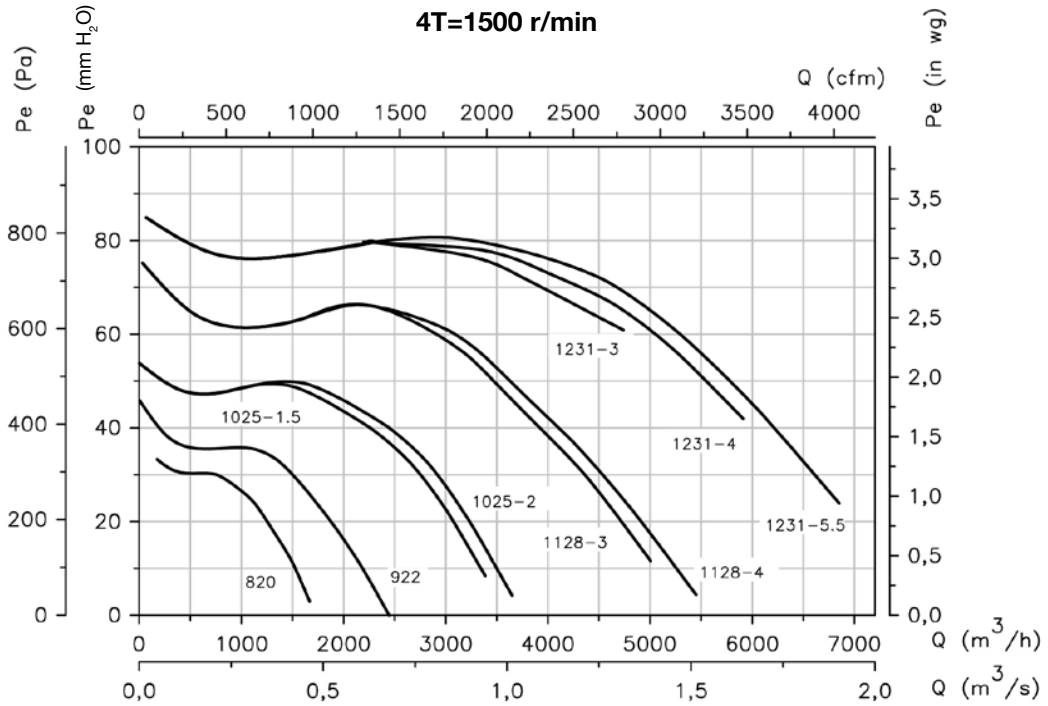


	k1	k2	J1	ØO
CJMP-820	-	160	94.5	9
CJMP-922	-	180	128	9.5
CJMP-1025	-	205	145	9.5
CJMP-1128	-	220	170	9.5
CJMP-1231	-	240	180	11.5
CJMP-1435	133	-	159	11.5
CJMP-1640	150	-	185	11.5
CJMP-1845	164	-	202	11.5
CJMP-2050	182.5	-	250	11.5

### Characteristic curves

Q= Flow rate in m<sup>3</sup>/h, m<sup>3</sup>/s and cfm

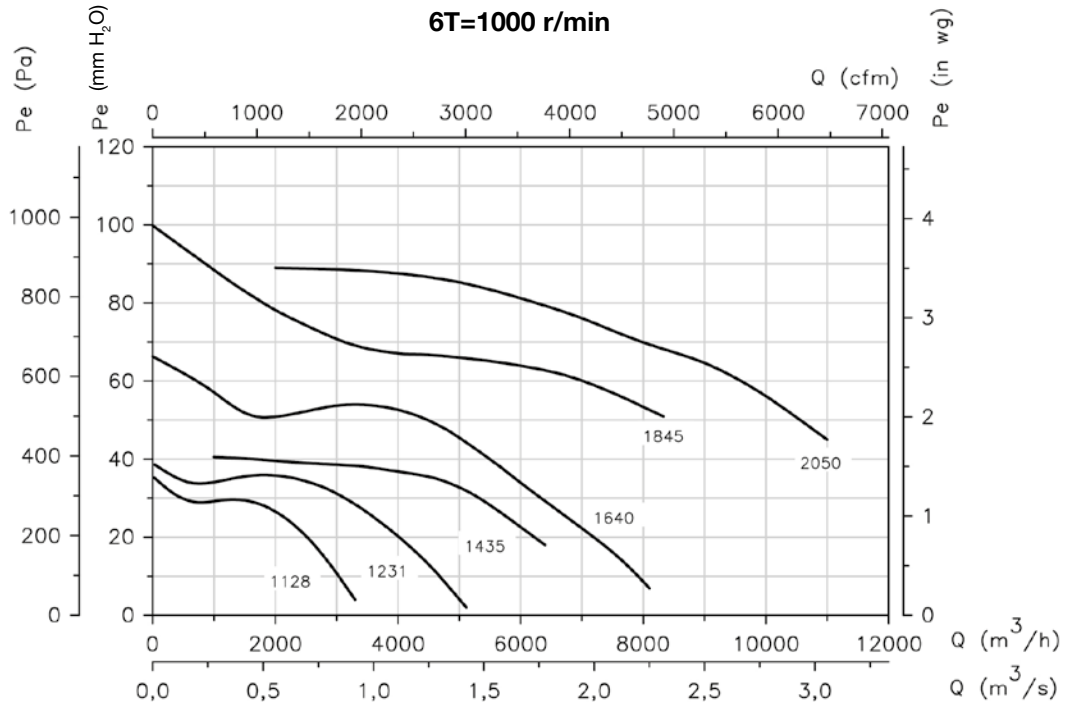
Pe= Static pressure in mm H<sub>2</sub>O, Pa and inwg



## Characteristic curves

Q= Flow rate in m<sup>3</sup>/h, m<sup>3</sup>/s and cfm

Pe= Static pressure in mm H<sub>2</sub>O, Pa and inwg



## Accessories



INT



IAT



CABLE BOX



C2V



VSD3/A-RFT  
- VSD1/A-RFM



CENTRAL CO



AET



RPA



B



BD



BIC



VIS



ACE ACE/400



TEJ